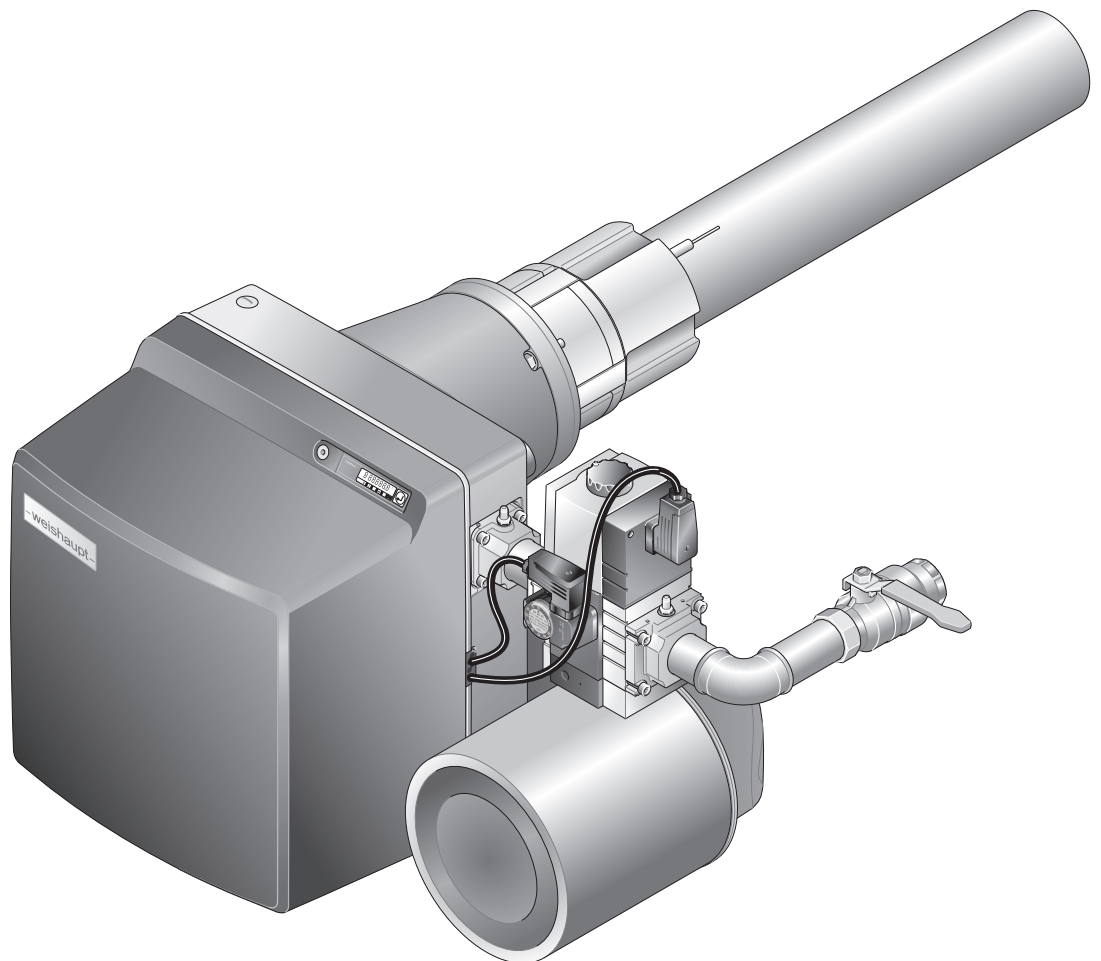


–weishaupt–

manual

Installation and operating instruction



1	User instructions	5
1.1	Target group	5
1.2	Symbols in the manual	5
1.3	Guarantee and Liability	6
2	Safety	7
2.1	Designated application	7
2.2	Safety symbols on the device	7
2.3	When gas can be smelled	7
2.4	Safety measures	7
2.4.1	Personal protective equipment (PPE)	8
2.4.2	Normal operation	8
2.4.3	Electrical work	8
2.4.4	Gas supply	8
2.5	Alterations to the construction of the equipment	9
2.6	Noise emission	9
2.7	Disposal	9
3	Product description	10
3.1	Type key	10
3.2	Type and serial number	10
3.3	Function	11
3.3.1	Air supply	11
3.3.2	Gas supply	12
3.3.3	Electrical components	14
3.3.4	Inputs and outputs	15
3.3.5	Program sequence	16
3.4	Technical data	18
3.4.1	Approval data	18
3.4.2	Electrical data	18
3.4.3	Ambient conditions	18
3.4.4	Permissible fuels	18
3.4.5	Emissions	19
3.4.6	Rating	20
3.4.7	Dimensions	21
3.4.8	Weight	21
4	Installation	22
4.1	Installation requirements	22
4.2	Burner installation	23
4.2.1	Rotate burner by 180° (optional)	25
4.2.2	Rotate intake housing by 180° (optional)	26
5	Installation	28
5.1	Gas supply	28
5.1.1	Installing the gas valve train	29
5.1.2	Carry out soundness test of gas supply line and vent	31
5.2	Electrical connection	32

6	Operation	34
6.1	Operating panel	34
6.2	Display	36
6.2.1	Info level	37
6.2.2	Service level	38
6.2.3	Parameter level	39
6.2.4	Access level	41
6.3	Linearisation	42
7	Commissioning	43
7.1	Prerequisite	43
7.1.1	Connect measuring devices	44
7.1.2	Check gas connection pressure	45
7.1.3	Check soundness of gas valve train	46
7.1.4	Purging the gas valve train	49
7.1.5	Preset pressure regulator	50
7.1.6	Setting values	52
7.1.7	Preset gas and air pressure switch	53
7.2	Adjusting the burner	54
7.3	Check soundness of burner flange	62
7.4	Set pressure switches	63
7.4.1	Set gas pressure switch	63
7.4.2	Set fan air pressure switch	64
7.4.3	Set intake air filter air pressure switch	64
7.5	Concluding work	65
7.6	Check combustion	66
7.7	Calculate gas throughput	67
7.8	Subsequent optimisation of operating points	68
8	Shutdown	69
9	Servicing	70
9.1	Notes on servicing	70
9.2	Service plan	72
9.3	Removing and refitting mixture distributor	73
9.4	Set mixture distributor	74
9.5	Removing and refitting burner tube	75
9.6	Service position	76
9.7	Removing and refitting fan wheel	77
9.8	Replace variable speed drive sensor	78
9.9	Remove burner motor	79
9.10	Set ionisation and ignition electrodes	80
9.11	Removing intake air filter	81
9.12	Removing and refitting air damper actuator	82
9.13	Removing and refitting angle drive	83
9.14	Removing and refitting gas butterfly valve actuator	84
9.15	Replacing double gas valve coil	85
9.16	Replace breather plug of multifunction assembly	86
9.17	Removing and refitting filter insert of multifunction assembly	87
9.18	Removing and refitting filter insert in gas filter	88

9.19	Replacing the combustion manager	89
9.20	Replacing the fuse	92
10	Troubleshooting	93
10.1	Procedures for fault conditions	93
10.1.1	Display off	93
10.1.2	Display OFF	93
10.1.3	Display flashes	94
10.1.4	Detailed fault codes	95
10.2	Rectifying faults	96
10.3	Operating problems	100
11	Technical documentation	101
11.1	Program sequence	101
11.2	Conversion table unit of pressure	103
11.3	Appliance categories	104
12	Project planning	109
12.1	Continuous running fan or post-purge	109
12.2	Additional requirements	109
13	Spares	110
14	Notes	126
15	Key word index	129

1 User instructions

Translation of original
operating instructions



This manual forms part of the equipment and must be kept on site.

Carefully read the manual prior to working on the unit.

1.1 Target group










The manual is intended for the operator and qualified personnel. It should be observed by all personnel working with the unit.

Work on the unit must only be carried out by personnel who have had the relevant training and instruction.

Persons with limited physical, sensory or mental capabilities may only work on the unit if they are supervised or have been trained by an authorised person.

Children must not play with the unit.

1.2 Symbols in the manual

 DANGER	Danger with high risk. Non observance can lead to serious injury or death.
 WARNING	Danger with medium risk. Non observance can lead to serious injury or death.
 CAUTION	Danger with low risk. Non observance can cause injury to personnel.
 NOTICE	Non observance can cause damage to the equipment and environmental damage.
	Important information
	Requires direct action
	Result after an action
	Itemisation
	Range of values or ellipsis
02	Replacement character for digits, e. g. language key for Print No.
Display text	Font for text that appears in the display

1 User instructions

1.3 Guarantee and Liability

Guarantee and liability claims for personal and equipment damage are excluded, if they can be attributed to one or more of the following causes:

- non approved application
- non-observance of the manual
- operation with faulty safety equipment
- continual operation despite a fault
- improper installation, commissioning, operation and service
- repairs, which have been carried out incorrectly
- the use of non original Weishaupt parts
- force majeure
- unauthorised modifications made to the unit
- the installation of additional components, which have not been tested with the unit
- the installation of combustion chamber inserts, which impede full flame formation
- unsuitable fuels
- defects in the inlet lines

2 Safety

2.1 Designated application

The burner is suitable for operation on heat exchangers to EN 303 and combustion chambers to EN 676.

If the burner is not used on combustion chambers to EN 303 and EN 676, a safety assessment of combustion and flame stability during individual process conditions, as well as the shutdown limits of the combustion plant has to be carried out and documented.

The Technical data must be adhered to [ch. 3.4].

The combustion air must be free from aggressive compounds (e. g. Halogens). If the combustion air is contaminated, increased cleaning and servicing will be required.

The burner should preferably be operated indoors.

If the burner is not operated indoors, weather protection is required to protect from rain and direct sunlight. The ambient conditions must be adhered to [ch. 3.4.3].

Improper use could:

- endanger the health and safety of the user or third parties
- cause damage to the unit or other material assets

2.2 Safety symbols on the device

Symbol	Description	Position
	Warning of electrical voltage	Frequency convertor
		Burner housing

2.3 When gas can be smelled

Avoid open flames and spark generation, for example:

- do not operate light switches
- do not operate electronic equipment
- do not use mobile telephones
- ▶ Open doors and windows.
- ▶ Close gas isolation valve.
- ▶ Warn the inhabitants, do not ring door bells.
- ▶ Leave the building.
- ▶ Inform the heating contractor or gas supplier from outside of the building.

2.4 Safety measures

Safety relevant fault conditions must be eliminated immediately.

Components, which show increased wear and tear or whose design lifespan is or will be exceeded prior to the next service should be replaced as a precaution.

The design lifespan of the components is listed in the service plan [ch. 9.2].

2 Safety

2.4.1 Personal protective equipment (PPE)

Use the necessary personal protective equipment for all work.

Personal protective equipment protects the user when working on the device.

Safety shoes must be worn during all work carried out on the device.

Further necessary PPE is shown in the respective section by a mandatory symbol.

Symbol	Description	Information
	Use hand protection	► Wear suitable protective gloves.

2.4.2 Normal operation

- All labels on the unit must be kept in a legible condition and replace if necessary.
- Stipulated service work should be carried out at regular intervals.
- Only operate the unit with its cover closed.
- Ensure combustion air supply is unimpeded.

2.4.3 Electrical work

When working on live components please ensure you:

- observe the accident prevention instructions (e. g. DGUV Regulation 3) and adhere to local directives
- use tools in accordance with EN IEC 60900

The device contains components, which could be damaged by electrostatic discharge (ESD).

When working on circuit boards and contacts:

- do not touch circuit boards or contacts
- if necessary, take ESD protective measures

2.4.4 Gas supply

- Only the gas supply company or an approved contract installation company may carry out installation, alteration and maintenance work on gas appliances in buildings and properties.
- Pipework must be subject to a combined load and valve proving test and/or usability testing relative to the pressure range intended, e. g. DVGW-TRGI, worksheet G 600.
- Inform the gas supply company about the type and size of plant prior to installation.
- Local regulations and guidelines must be observed during installation, e. g. DVGW-TRGI, worksheet G 600; TRF Band 1 and Band 2.
- The gas supply pipe work should be suitable for the type and quality of gas and should be designed in such a way that it is not possible for liquids to form, e. g. condensate. Observe vaporisation pressure and vaporisation temperature of liquid petroleum gas.
- Use only tested and approved sealing materials, whilst observing all process information.
- Re-commission the appliance when changing to a different type of gas. Changing from LPG to Natural Gas and visa versa requires a conversion.
- Carry out soundness test after each service and fault rectification.

2.5 Alterations to the construction of the equipment

All conversions require written approval from Max Weishaupt SE.

- No additional components may be fitted, which have not been tested for use with the equipment.
- Do not use combustion chamber inserts, which hinder flame burnout.
- Use only original Weishaupt replacement parts.

2.6 Noise emission

The noise emissions are determined by the acoustic behaviour of all components fitted to the combustion system.

Prolonged exposure to high noise levels can lead to loss of hearing. Provide operating personnel with protective equipment.

Noise emissions can further be reduced with a sound attenuator.

2.7 Disposal

Dispose of all materials and components in a safe and environmentally friendly way at an authorised location. Observe local regulations.

3 Product description

3 Product description

3.1 Type key

Example: WG40N/2-A ZM-PLN

Type

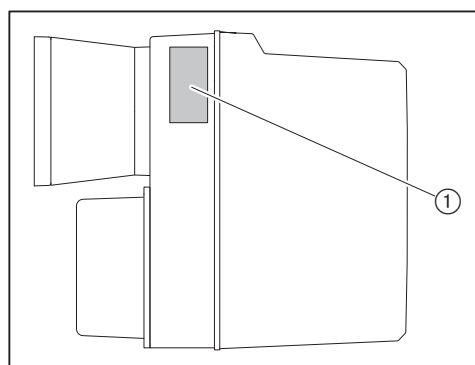
W	Series: Compact burner
G	Fuel: Gas
40	Size
N	N: Natural Gas F: Liquid Petroleum Gas
2	Ratings size
A	Construction stage

Version

ZM	Type of control: modulating
PLN	Mixing head: Premix LowNO _x

3.2 Type and serial number

The type and serial number on the type plate clearly identify the product. They are required by Weishaupt's customer service department.



① Name plate

Mod.: _____	Ser. Nr.: _____
--------------------	------------------------

3.3 Function

3.3.1 Air supply

Air damper

The air damper regulates the air quantity required for combustion. The combustion manager drives the air damper via actuator. At burner shutdown the air damper closes automatically. This reduces heat loss in the heat exchanger.

Fan wheel

The fan wheel supplies the air from the air intake housing to the burner tube.

Air pressure switch for fan

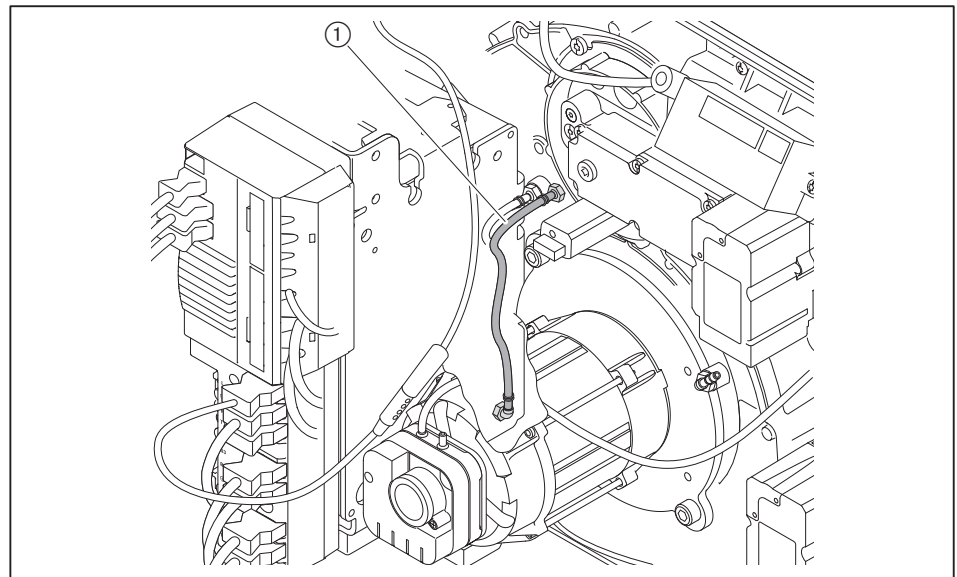
The air pressure switch monitors the fan pressure. If the fan pressure is insufficient, the combustion manager initiates a lockout.

Air pressure switch for intake air filter

The air pressure switch monitors the intake air filter for contamination. If it is heavily contaminated, the combustion manager initiates a lockout.

Air cooling

The frequency convertor is cooled via a hose ① on the burner housing.



3 Product description

3.3.2 Gas supply

Gas isolation valve ①

The gas isolation valve opens and shuts off the gas supply.

Multifunction assembly ⑧

The multifunction assembly contains:

- Gas filter
- double gas valve
- Pressure regulator

Gas filter ②

The gas filter protects the subsequent valve train components from foreign particles.

Double gas valve ④

The double gas valve opens and shuts off the gas supply.

Pressure regulator ③

The pressure regulator reduces the connection pressure and ensures a constant set pressure.

Gas butterfly valve ⑤

The gas butterfly valve regulates the gas quantity depending on the rating required. The combustion manager drives the gas butterfly valve via actuator.

Low gas pressure switch/valve proving gas pressure switch ⑦

The gas pressure switch monitors the gas connection pressure. If the preset pressure is not achieved, the combustion manager initiates a safety shutdown.

The gas pressure switch also monitors if the gas valves are tight. It signals the combustion manager if the pressure increases or decreases to an impermissible level during valve proving.

Valve proving is carried out automatically by the combustion manager:

- after every controlled shutdown
 - prior to burner start following lockout or power outage
1. Test phase (function sequence for valve proving valve 1):
 - valve 1 closes
 - valve 2 closes after a delay
 - the gas escapes and the pressure between valve 1 and valve 2 reduces
 - both valves remain closed for 8 seconds

If the pressure increases above the set value during these 8 seconds, valve 1 is leaking. The combustion manager initiates a controlled shutdown.

2. Test phase (function sequence for valve proving valve 2):

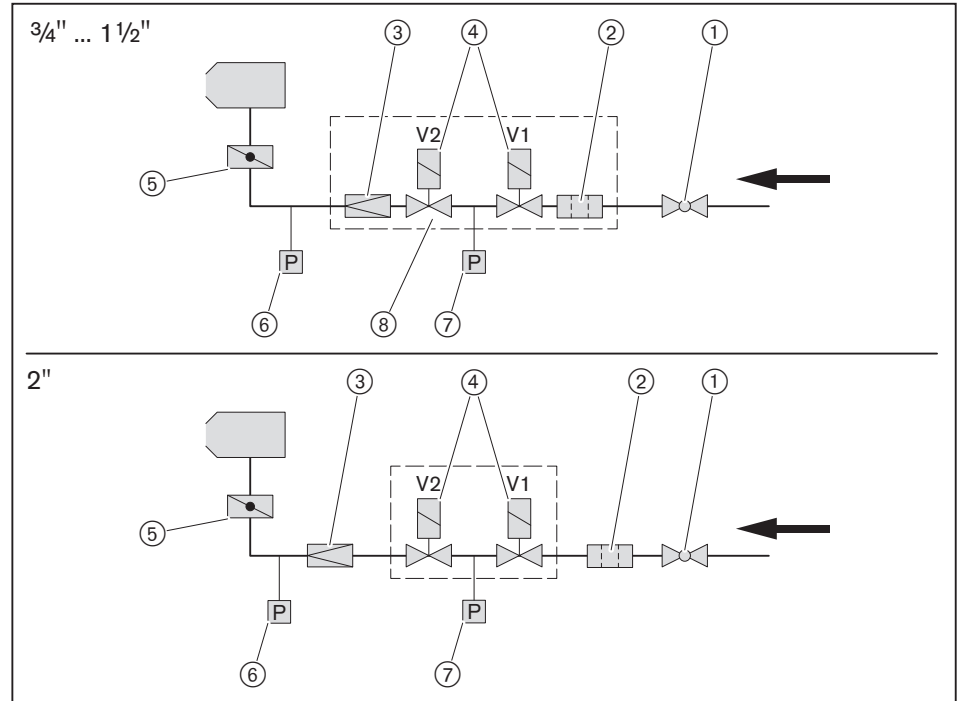
- valve 1 opens, valve 2 remains closed
- pressure between valve 1 and valve 2 increases
- valve 1 closes again
- both valves remain closed for 16 seconds

If the pressure decreases below the set value during these 16 seconds, valve 2 is leaking. The combustion manager initiates a controlled shutdown.

High gas pressure switch ⑥ (optional)

Depending on the burner application, optional equipment may be required for optimum operation [ch. 12.2].

The high gas pressure switch monitors the set pressure. If the set pressure exceeds the set value, the combustion manager initiates a controlled shutdown.



3 Product description

3.3.3 Electrical components

Combustion Manager

The combustion manager W-FM is the control unit of the burner. It controls the sequence of operation and monitors the flame.

Operating panel

The values and parameters of the combustion manager can be displayed and changed at the operating panel.

Burner motor

The burner motor is driven via a frequency convertor. The burner motor drives the fan wheel.

Frequency convertor

The frequency convertor regulates the speed of the burner motor according to the burner capacity required. The speed and direction of rotation of the burner motor is monitored via a speed sensor.

A frequency of 55 Hz is required for the maximum burner capacity.

Frequency range: approx. 22 ... 55 Hz.

Ignition unit

The electronic ignition unit creates a spark at the electrode, which ignites the fuel/air mixture.

Ionisation electrode

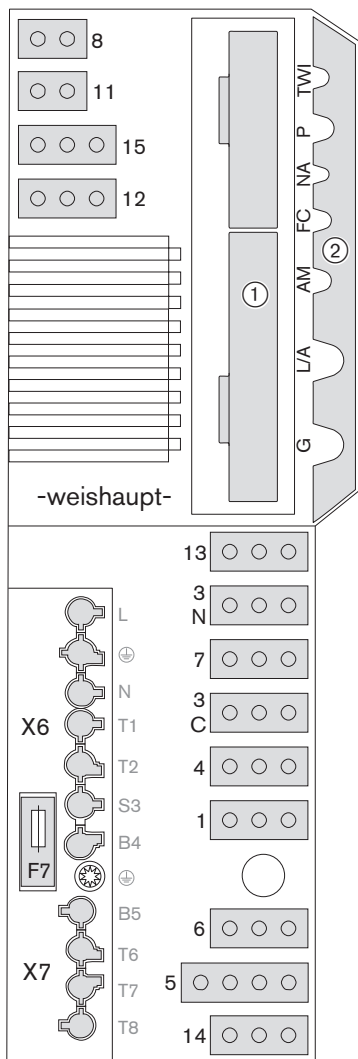
The combustion manager monitors the flame signal via the ionisation electrode. If the flame signal becomes too weak, the combustion manager carries out a controlled shutdown.

Flame sensor

If the flame monitor detects a flame that burns back, the combustion manager initiates a lockout.

3.3.4 Inputs and outputs

Observe wiring diagram supplied.




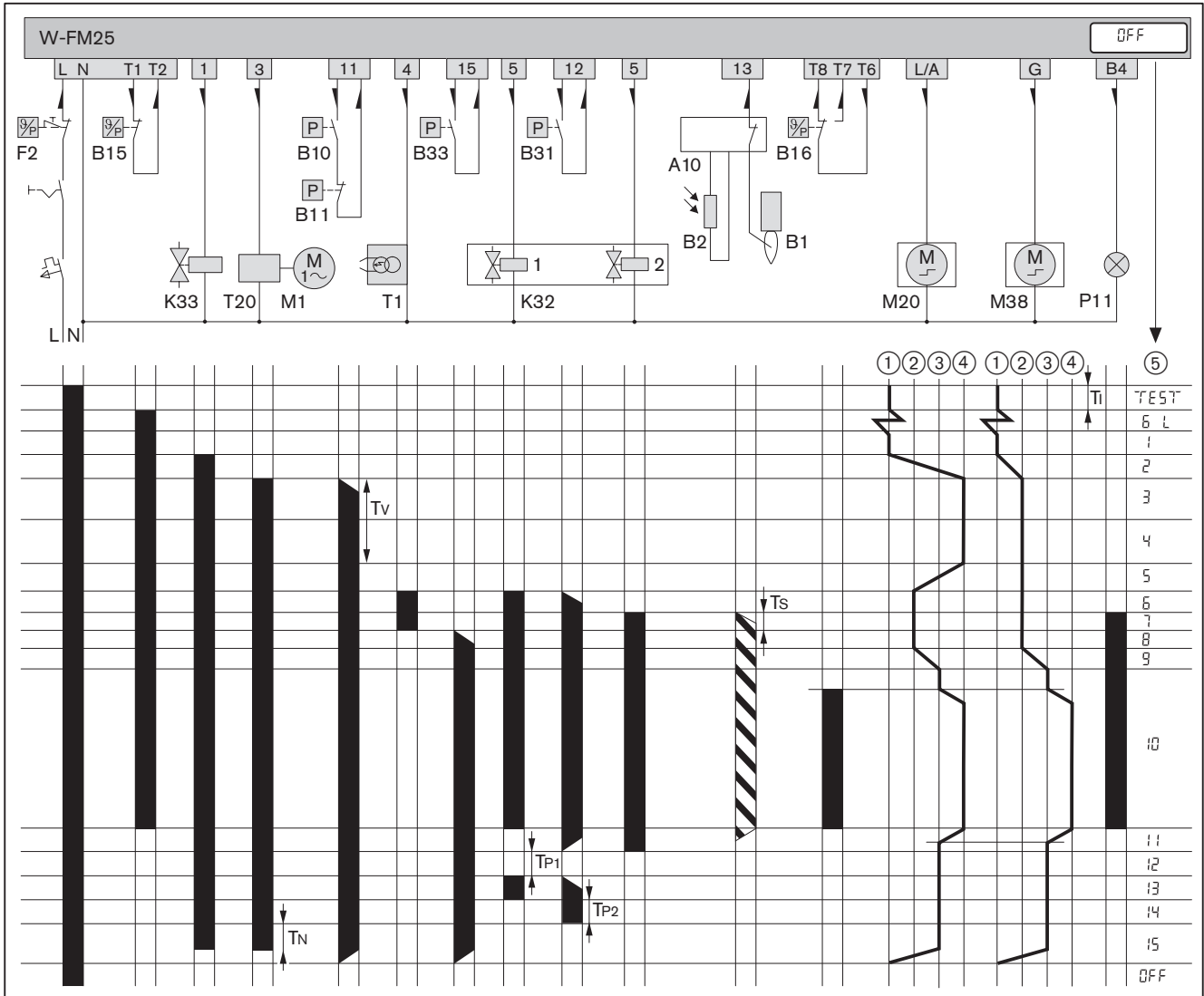
- TWI TWI interface (VisionBox, accessory)
 - P O₂ sensor (accessory)
 - NA Speed signal (Namur)
 - FC Frequency converter
 - AM Operating panel
 - L/A Air damper actuator
 - G Gas butterfly valve actuator
-
- ① Slot analogue module EM3/3 or Fieldbus module EM3/2
 - ② W-FM cover
-
- 1 External valve LPG
 - 3C Frequency converter for continuous running fan
 - 3N Frequency converter
 - 4 Ignition unit
 - 5 Multifunction assembly or double gas valve
 - 6 Not used
 - 7 Bridging plug No. 7
 - 8 Gas meter (impulse generator)
 - 11 Air pressure switch for fan / air pressure switch for intake air filter (LDW3)
 - 12 Low gas pressure switch/valve proving gas pressure switch
 - 13 Ionisation
 - 14 Remote reset or low gas pressure switch (optional)
 - 15 Bridging plug No. 15 or high gas pressure switch
-
- X6 7 pole connection plug
 - X7 4 pole connection plug
 - F7 Internal unit fuse (T6.3H, IEC 127-2/5)

3 Product description

3.3.5 Program sequence

The operating phases for commissioning the burner are shown on the display.

Phase	Function
TEST	After the power supply has been switched on the combustion manager performs a self-test.
G L	At heat demand, the actuators for the air damper and the gas butterfly valve drive to the reference point.
1	The combustion manager monitors for extraneous light.
2	The air damper actuators drives to pre-purge (operating point P9). The gas butterfly valve actuator drives to ignition position (operating point P0).
3	Pre-purge is initiated. The air pressure switch reacts.
4	Pre-purge. The remaining pre-purge time is displayed.
5	The air damper actuator drives to ignition position (operating point P0).
6	Gas valve 1 opens. The gas pressure switch reacts. Ignition starts.
7	Gas valve 2 opens. The fuel is released. The safety time begins. The display shows symbol  .
8	Flame stabilisation.
9	The actuators for the air damper and gas butterfly valve drive to partial load.
10	The burner is in operation. Load control is activated.
11	If heat demand is no longer available, the actuators for air damper and gas butterfly valve drive to partial load. The fuel supply is shut off. The burner motor continues to run. Valve proving starts. 1. Test phase (function sequence for valve proving valve 1): <ul style="list-style-type: none"> ▪ valve 1 closes ▪ valve 2 closes after a delay ▪ the gas escapes and the pressure between valve 1 and valve 2 reduces
12	Test time valve 1.
13	2. Test phase (function sequence for valve proving valve 2): <ul style="list-style-type: none"> ▪ valve 1 opens, valve 2 remains closed ▪ pressure between valve 1 and valve 2 increases ▪ valve 1 closes again
14	Test time valve 2.
15	Following the post-purge phase the burner motor switches off. The actuators of the air damper and gas butterfly valve close.
OFF	Standby, no heat demand.



- | | | | |
|-----|---|-----------------|---|
| B1 | Ionisation electrode | ① | CLOSED position |
| B2 | Flame sensor | ② | Ignition position |
| B10 | Air pressure switch | ③ | Partial load |
| B11 | Air pressure switch for intake air filter | ④ | Full load |
| B15 | Temperature or pressure regulator | ⑤ | Operating phase |
| B16 | Temperature or pressure regulator full load | T _i | Initialisation time (Test): 3 s |
| B31 | Low gas pressure switch/valve proving gas pressure switch | T _N | Post-purge time: 2 s [ch. 6.2.3]. |
| B33 | High gas pressure switch (optional) | TP ₁ | 1. Test phase: 8 s (valve proving valve 1) |
| F2 | Temperature or pressure limiter | TP ₂ | 2. Test phase: 16 s (valve proving valve 2) |
| K32 | double gas valve | T _v | Pre-purge time: 20 s |
| K33 | External valve LPG | T _s | Safety time: 3 s |
| M1 | Burner motor | ■ | Voltage is applied |
| M20 | Air damper actuator | ▨ | Flame signal present |
| M38 | Gas butterfly valve actuator | → | Current path |
| P11 | Control lamp operation (optional) | | |
| T1 | Ignition unit | | |
| T20 | Frequency convertor | | |

3 Product description

3.4 Technical data

3.4.1 Approval data

PIN (EU) 2016/426	CE-0085AS0311
Basic standards	EN 676:2020 + AC:2022 Additional standards, see EU Declaration of Conformity.

3.4.2 Electrical data

Mains voltage / Mains frequency	230 V/50 Hz
Consumption at start	max 1076 W
Consumption during operation	max 1066 W
Power consumption	max 3.2 A
Internal unit fuse	T6.3H, IEC 127-2/5
External fuse	B6 A

3.4.3 Ambient conditions

Temperature in operation	–15 ... +40 °C
Temperature during transport/storage	–20 ... +70 °C
relative humidity	max 80 %, no dew point
Installation elevation	max 2000 m ⁽¹⁾

⁽¹⁾ Consultation with Weishaupt is required for higher installation elevation.

3.4.4 Permissible fuels

- Natural Gas E/LL
- Liquid Petroleum Gas B/P
- Natural gas with hydrogen content > 10 %, see supplementary manual (Print No. 835927xx)

3.4.5 Emissions

Flue gas

In accordance with EN 676, the burner meets the requirements of emission class 4.

The NO_x values are influenced by:

- combustion chamber dimensions
- flue gas system
- Fuel
- combustion air (temperature and humidity)
- medium temperature
- O₂ content in the flue gas

Combustion chamber dimensions, see Weishaupt Partner Portal (Documents and Applications → Online Applications → NO_x calculation for burner).

Sound levels

Dyad noise emission values

Measured sound power level L _{WA} (re 1 pW)	80 dB(A) ⁽¹⁾
Uncertainty value K _{WA}	4 dB(A)
Measured sound pressure level L _{pA} (re 20 μPa)	75 dB(A) ⁽²⁾
Uncertainty value K _{pA}	4 dB(A)

⁽¹⁾ Determined to ISO 9614-2.

⁽²⁾ Determined at 1 metre distance from the front of the burner.

The measured noise levels plus uncertainty values form the upper limit value, which could occur when measuring.

3 Product description

3.4.6 Rating

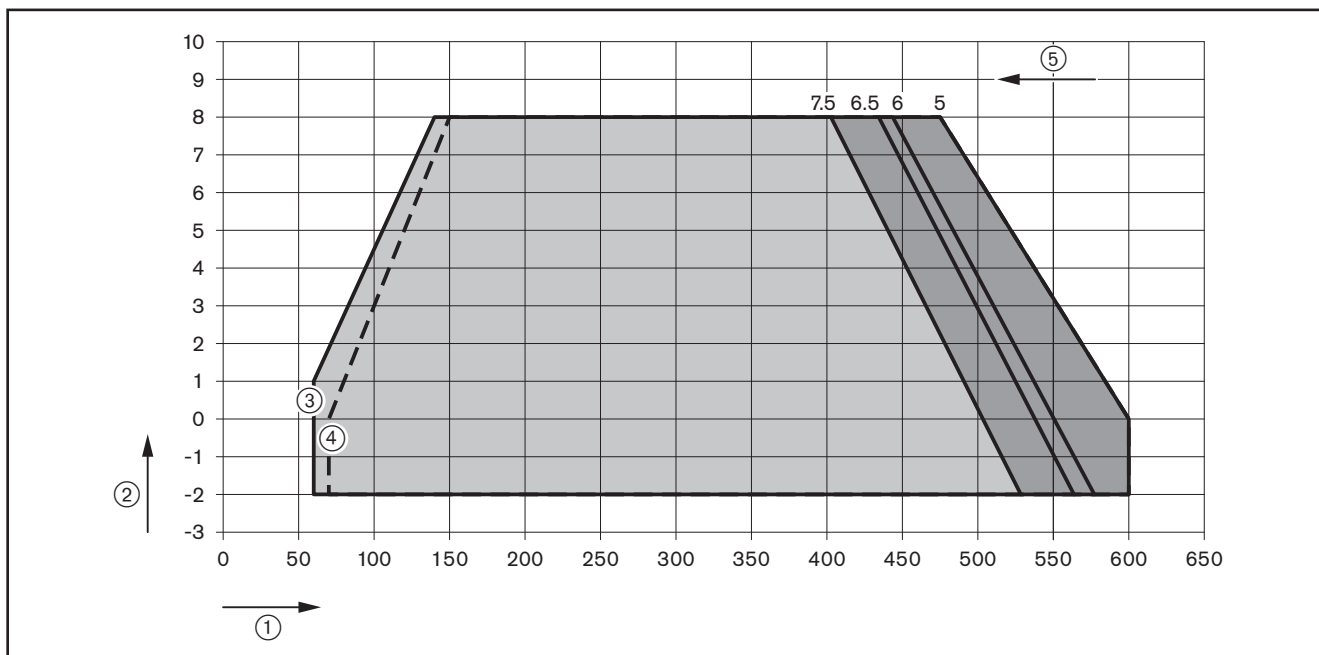
Combustion heat rating

Natural Gas	60 ... 600 kW
LPG	70 ... 600 kW

Capacity graph

Capacity graph to EN 676.

The capacity data given relates to an installation elevation of 0 m above sea level. For installation elevations above 0 m a capacity reduction of approx. 1 % per 100 m applies.

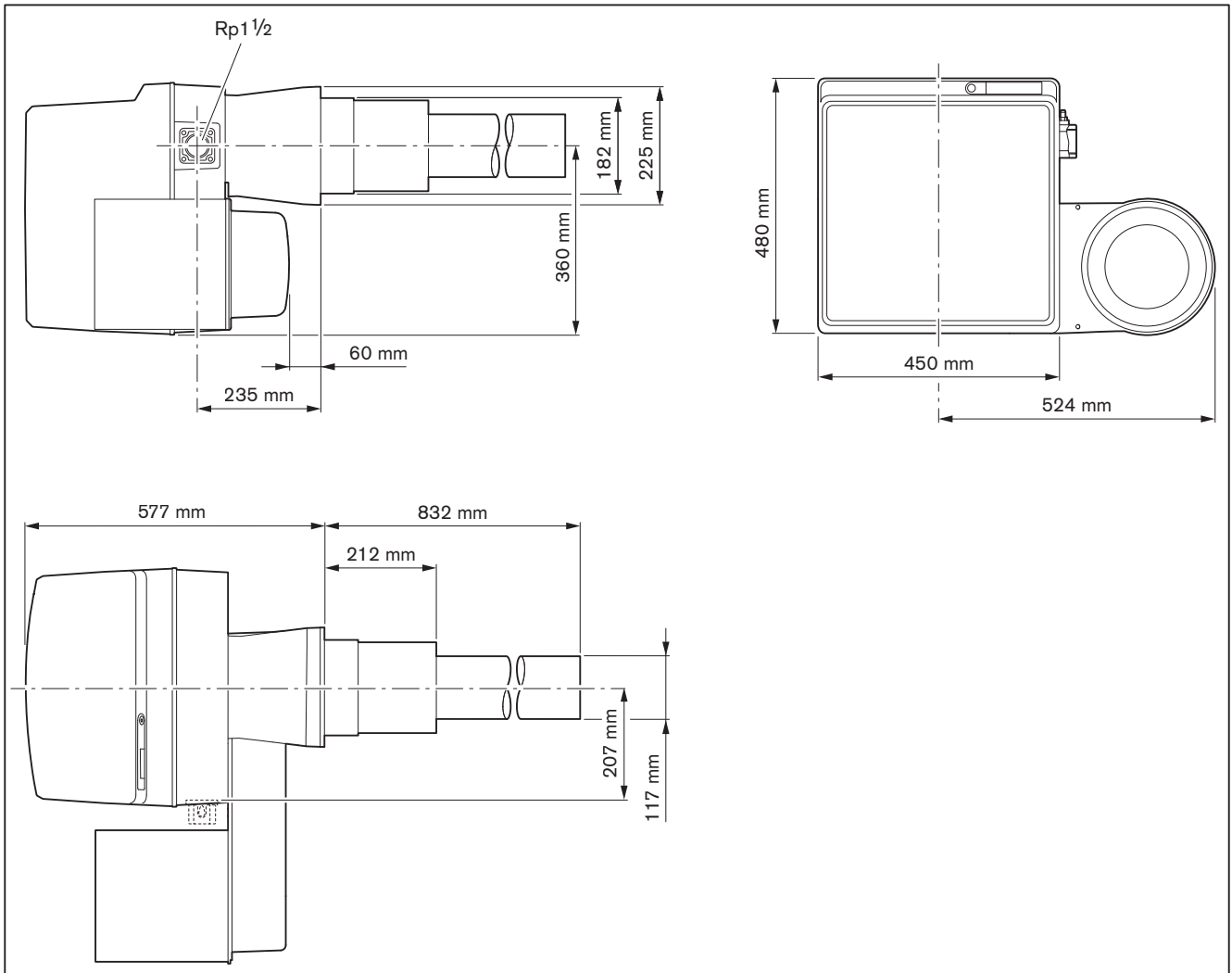


- ① Combustion heat rating [kW]
- ② Combustion chamber pressure [mbar]
- ③ Natural Gas
- ④ Liquid Petroleum Gas
- ⑤ O₂ content [%]

O ₂ content	NOx content natural gas	NOx content LPG
7.5 %	approx. 20 mg/kWh	–
6.5 %	approx. 30 mg/kWh	approx. 60 mg/kWh
6.0 %	approx. 50 mg/kWh	approx. 80 mg/kWh
5.0 %	approx. 80 mg/kWh	approx. 140 mg/kWh

3.4.7 Dimensions

Burner



3.4.8 Weight

approx. 35 kg

4 Installation

4 Installation

4.1 Installation requirements

Burner type and capacity graph

Burner and heat exchanger must be matched.

- ▶ Check burner type and burner capacity.

Installation location

- ▶ Prior to installation ensure that:
 - sufficient space is available for normal and service position [ch. 3.4.7]
 - sufficient combustion air is available and, if necessary, a ducted air intake is installed

Prepare heat exchanger

The refractory ② must not protrude beyond the insulator. It can, however, take a conical shape (min 60°).

Refractory may not be required on boilers with water-cooled front, unless the manufacturer gives other instructions.

Prior to installing the burner tube, the aperture ③ between insulator and refractory should be filled with flame-proof, resilient insulating material. Do not make solid.

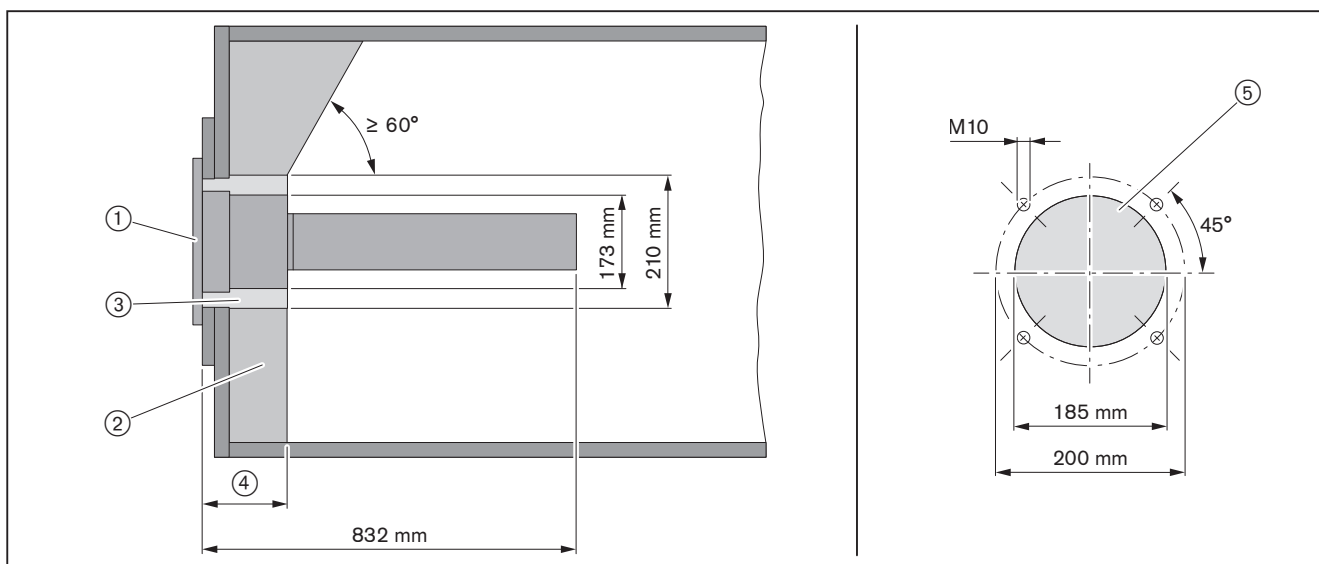


NOTICE

Damage to burner tube by hinging open the heat exchanger

The burner tube could be damaged, if the heat exchanger is hinged open with the burner tube mounted.

- ▶ Remove the burner tube [ch. 9.5].
- ▶ Hinge open the heat exchanger.



- ① Flange gasket
- ② Refractory
- ③ Aperture
- ④ max 220 mm
- ⑤ Boiler plate recess

4.2 Burner installation

Observe health and safety regulations for lifting and carrying loads [ch. 3.4.8].



Only valid in Switzerland

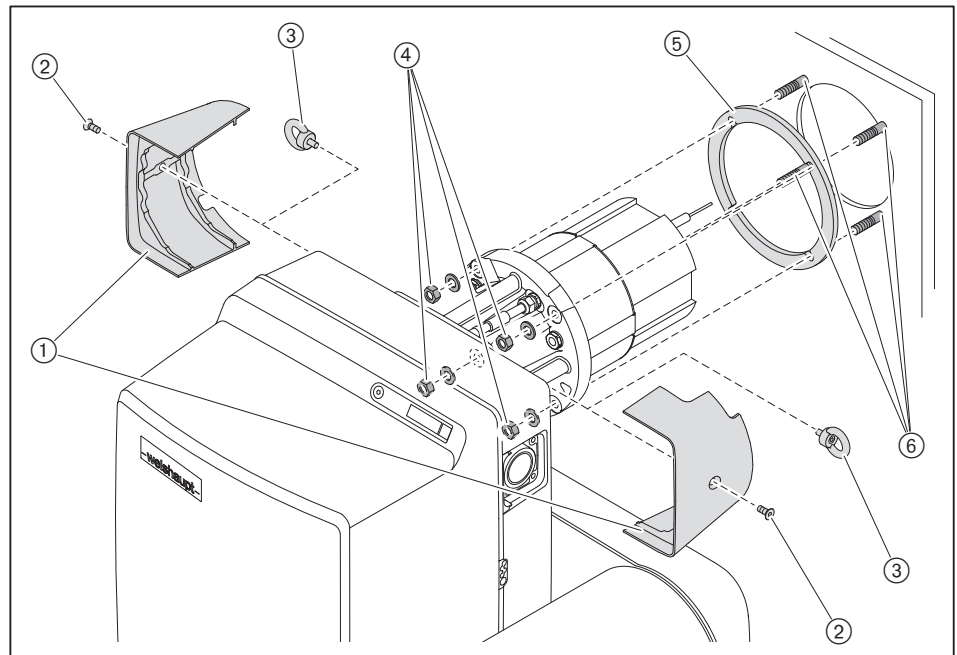
When installing and operating the regulations of SVGW, of the VKF, local and Cantonal regulations and the EKAS-guideline No. 6517: LPG guideline must be observed.



The burner in its standard version is designed for valve train connection from the right. For gas valve train connection from the left the burner has to be installed rotated by 180° [ch. 4.2.1]. To do this, additional conversion measures are required [ch. 5.1.1].

Burner installation

- ▶ Screw studs ⑥ to boiler plate.
- ▶ Place burner with insulator and flange gasket ⑤ onto the stud screws.
- ▶ Mount burner to boiler plate using nuts ④.
- ▶ Remove eye bolts ③.
- ▶ Mount intermediate flange covers ① with countersunk head screws ②.
- ▶ The aperture between insulator and refractory should be filled with flame-proof, resilient insulating material. Do not make solid.



4 Installation

Installing the burner tube

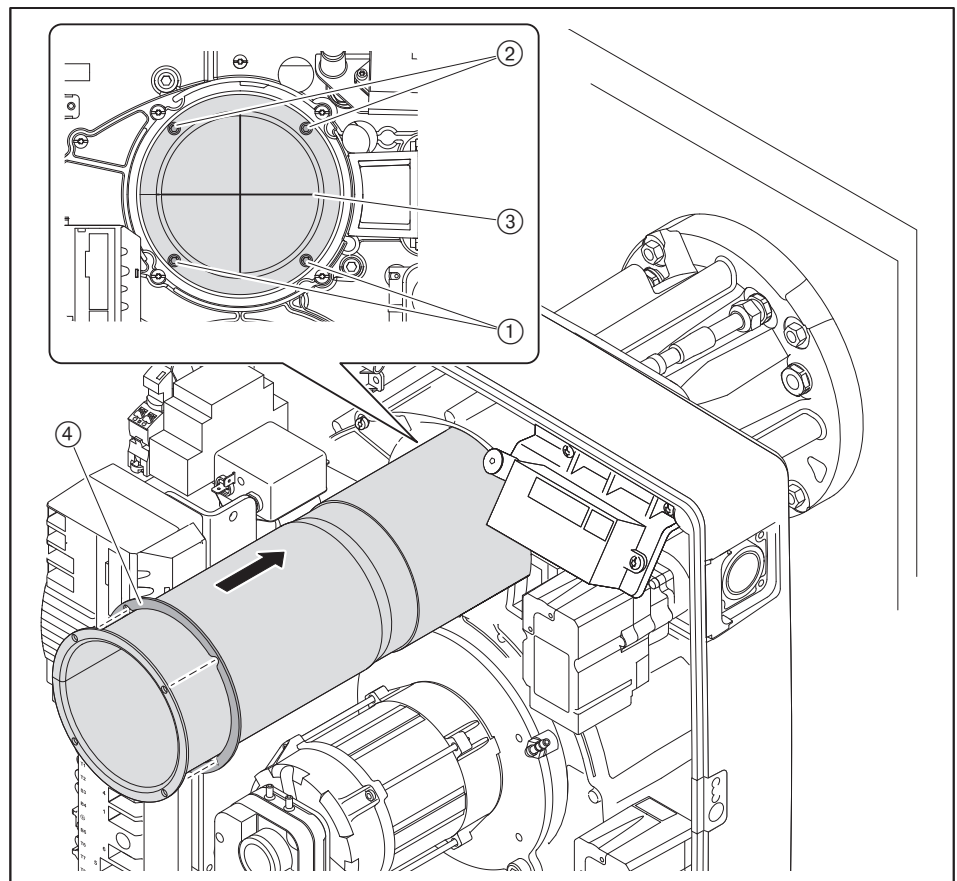


Pay attention not to damage the burner tube mat when removing and refitting the burner tube.

- ▶ Check and if necessary adjust the distance between ionisation electrode and ignition electrode [ch. 9.10].
- ▶ Remove cover.
- ▶ Remove mixture distributor [ch. 9.3].
- ▶ Position the burner tube seal ④ correctly and stick it to the burner tube.
- ▶ Carefully lift burner tube and push into the burner housing up to the stop, ensuring that:
 - the longitudinal weld seam of the burner tube mat is not in the area of the ignition unit
 - the cross position ③ is aligned horizontally
 - the burner tube mat is not damaged

Use the SW4 Allen key, length 350 mm, provided to tighten the burner tube fastening screws ① and ②.

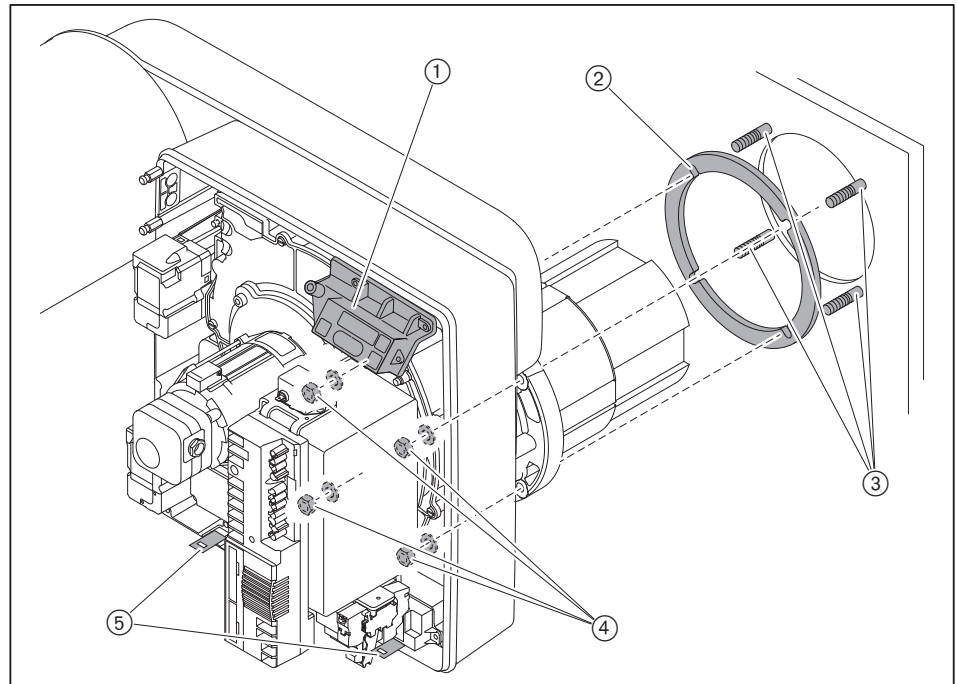
- ▶ Secure burner tube first with screws ① at the bottom, then with screws ② at the top on the intermediate flange, if necessary align the position of the drill hole to the thread.



- ▶ Fit mixture distributor [ch. 9.3].
- ▶ Fit cover.

4.2.1 Rotate burner by 180° (optional)

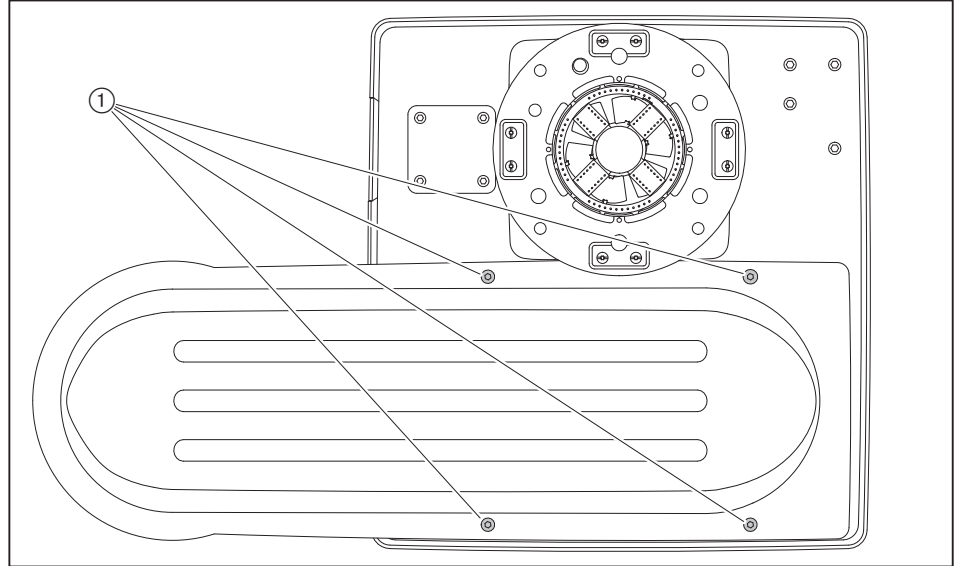
- ▶ Mount operating panel ① on the opposite side of the housing.
- ▶ Mount fixing bracket ⑤ on the opposite side of the housing.
- ▶ If necessary, rotate [ch. 4.2.2] intake housing by 180°.
- ▶ Screw studs ③ to boiler plate.
- ▶ Rotate burner 180° and place on to the stud screws whilst ensuring that the flange gasket ② is seated correctly.
- ▶ Mount burner to boiler plate using nuts ④.
- ▶ The aperture between insulator and refractory should be filled with flame-proof, resilient insulating material. Do not make solid.
- ▶ Fit burner tube [ch. 4.2].



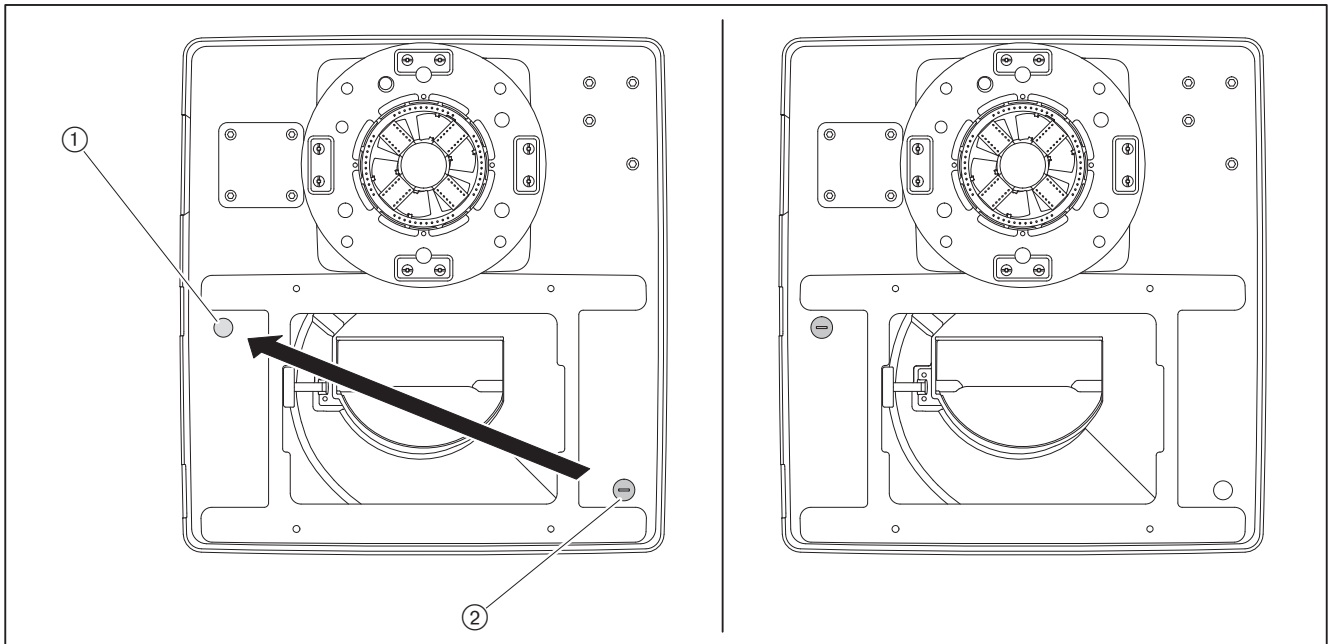
4 Installation

4.2.2 Rotate intake housing by 180° (optional)

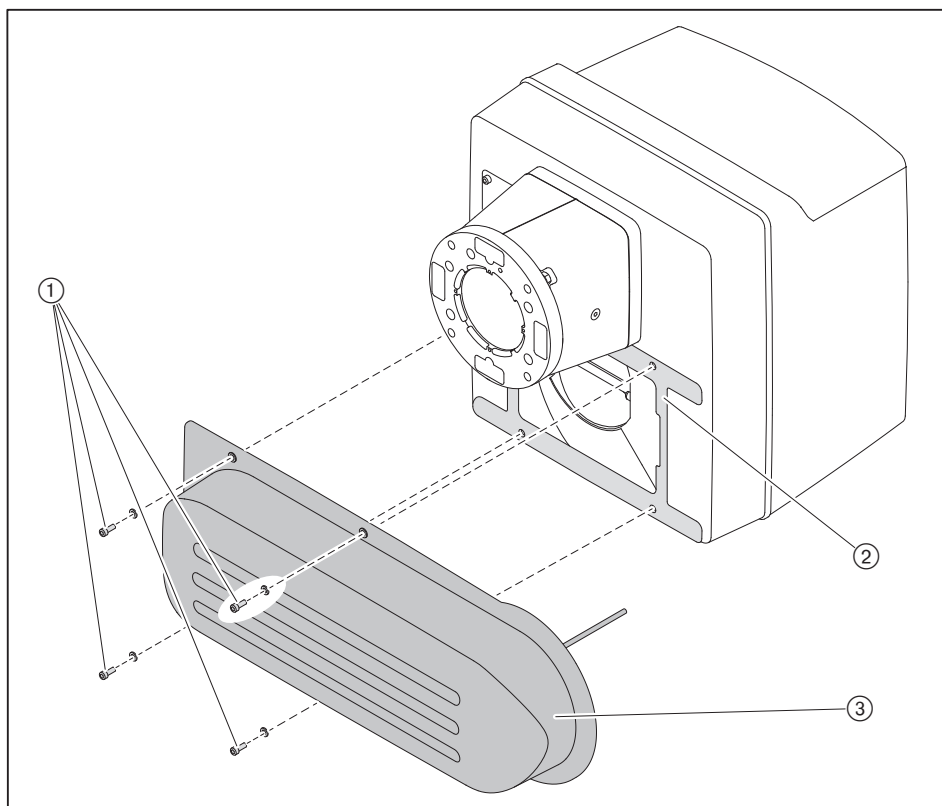
- ▶ Detach the hose from the air pressure switch for the intake air filter on the impulse line.
- ▶ Remove intake air filter [ch. 9.11].
- ▶ Remove screws ① and completely remove intake cover.



- ▶ For left-hand mounting, the dummy plug ② must be mounted in position ①.



- ▶ Rotate intake cover ③ by 180° and mount using screws ①, ensuring correct alignment of the seal ②.
- ▶ Fit air filter.
- ▶ Fit the hose to the air pressure switch for the intake air filter on the impulse line.



5 Installation

5 Installation

5.1 Gas supply

**Risk of explosion due to leaking gas**

Gas leaks can lead to a build-up of explosive gas/air mixture. With an ignition source present this can result in an explosion.

- ▶ Install gas supply with care.
- ▶ Observe all safety instructions.

Only a competent installation company may carry out the installation of the gas pipe system, including the gas ball valve upstream of the gas appliance. Observe local regulations.

All work downstream from the gas ball valve may be carried out by a contract installation company or a service-/qualified subcontractor for gas appliances in accordance with DVGW G 676.

Ask the gas supply company to specify the following:

- Type of Gas
- Gas connection pressure
- Calorific value in normal condition [kWh/m³]

Observe maximum permissible pressure of all components of the gas valve train.

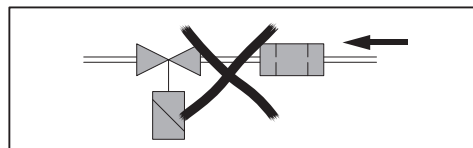
- ▶ Close all fuel shut off devices prior to commencing work and protect from accidental re-opening.

General installation instructions

- Install manually operated shut off device (gas isolation valve) in the supply.
- Ensure correct mounting alignment and cleanliness of sealing surfaces.
- Mount valve train free of vibration. It must not be allowed to swing. Suitable supports should be fitted.
- Mount gas valve train free of stresses.
- The distance between burner and Multifunction assembly and/or double gas valve and pressure regulator should be as small as possible. If the distance is too great, it is possible that a gas/air mixture is formed, which will influence burner start.
- Observe sequence and flow direction of gas valve train.
- If necessary, fit thermal shut off device (TAE) in front of the gas isolation valve.

Installation position

Multifunction assembly and/or double gas valve and pressure regulator can be installed with the axis standing vertical to lying horizontal.



5.1.1 Installing the gas valve train



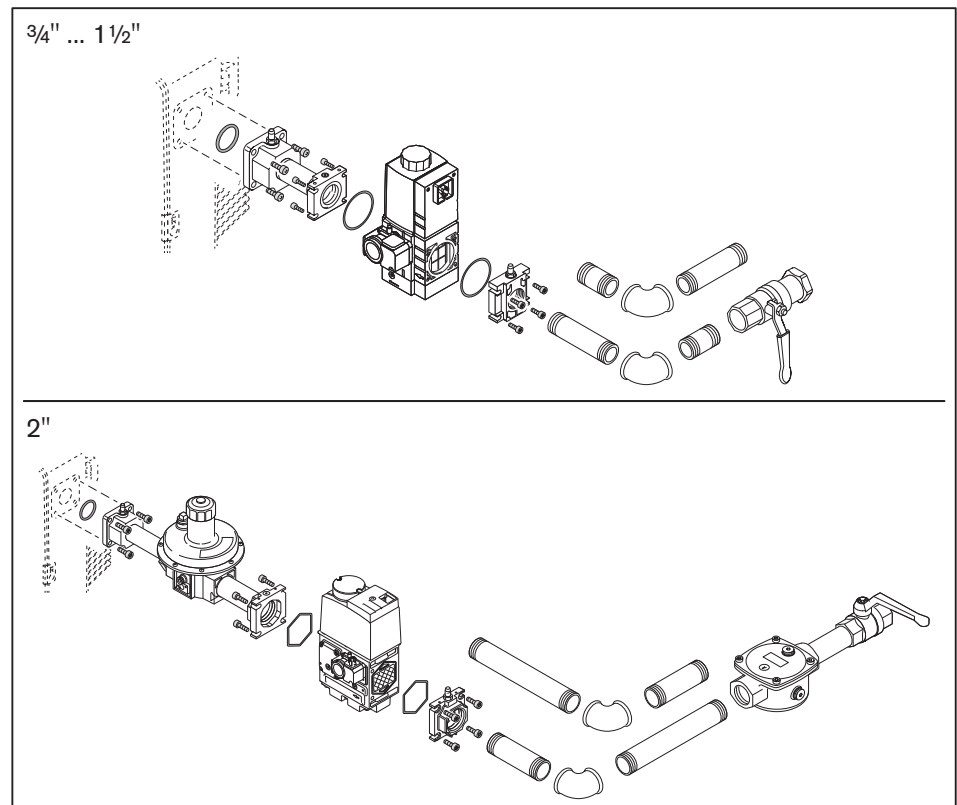
Only in conjunction with W-MF and gas connection pressure > 150 mbar

If the gas connection pressure is > 150 mbar, a pressure regulator has to be fitted upstream of the W-MF.

- ▶ Installing the gas valve train, see additional sheet (Print No. 835109xx).

Installing the valve train from the right

- ▶ Remove protective film and closing plug.
- ▶ Mount gas valve train free of stresses. Do not compensate for installation errors by over-tightening the flange screws.
- ▶ Ensure correct alignment of flange seals.
- ▶ Tighten screws evenly diagonally across.



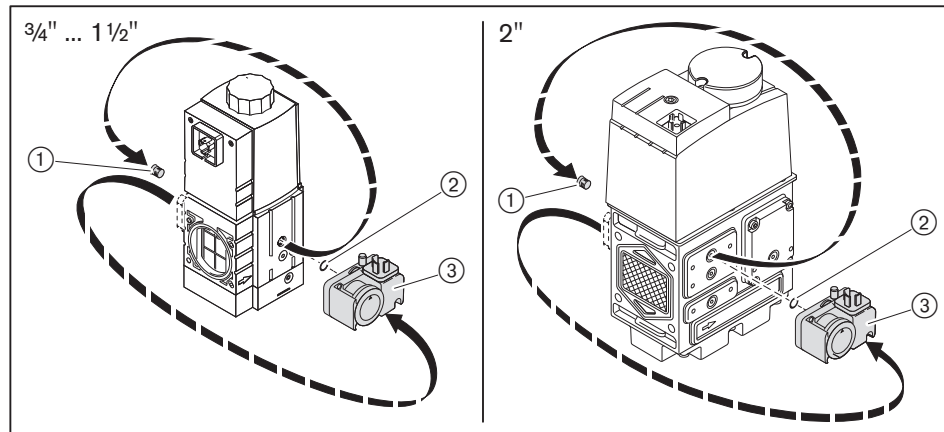
5 Installation

Installing the gas valve train from the left

To fit the gas valve train to the burner from the left, the burner has to be installed rotated by 180°. To do this, additional conversion measures are required.

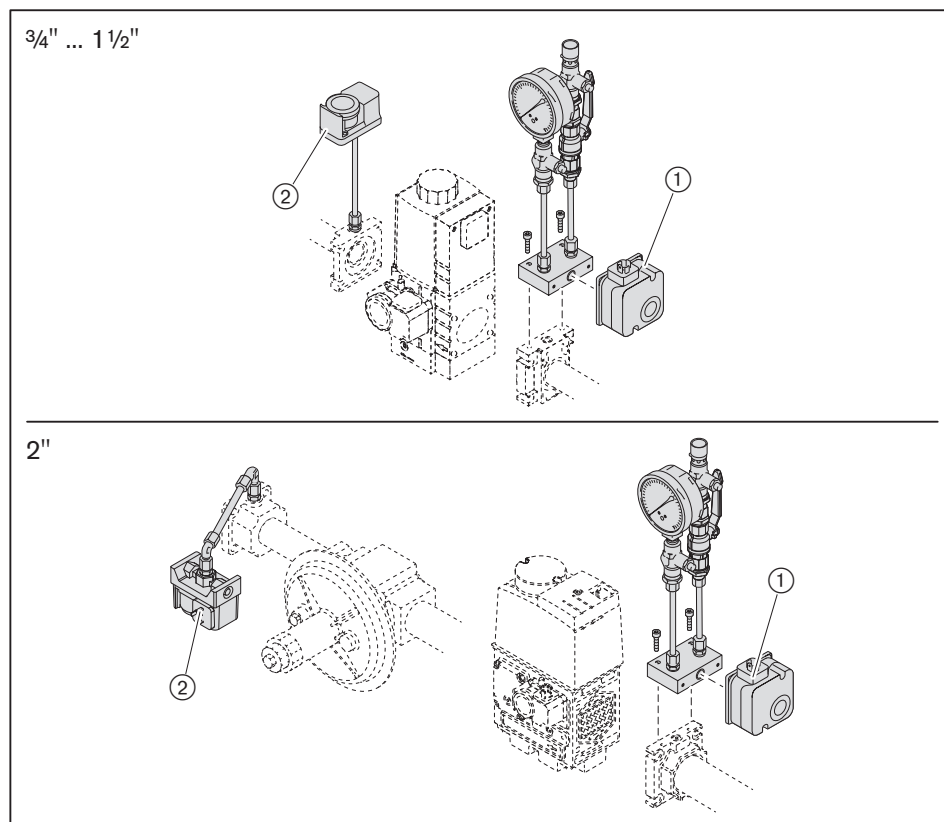
Move the gas pressure switch prior to installing the multifunction assembly:

- ▶ Remove closing plug ① and gas pressure switch ③.
- ▶ Mount gas pressure switch ③ and O ring ② on the opposite side.
- ▶ Mount closing plug ① on the opposite side.



- ▶ Continue installation in the same way as for "Mount gas valve train from the right".

Accessories



- ① Low gas pressure switch with mechanical interlock (B34)
- ② High gas pressure switch (B33)

5.1.2 Carry out soundness test of gas supply line and vent

Only a competent installation company may carry out the soundness test and vent the gas pipe system.

5 Installation

5.2 Electrical connection



Risk of electric shock

Working on the device when voltage is applied can lead to electric shock.

- ▶ Isolate the device from the power supply prior to starting any work.
 - ▶ Safeguard against accidental restart.
-



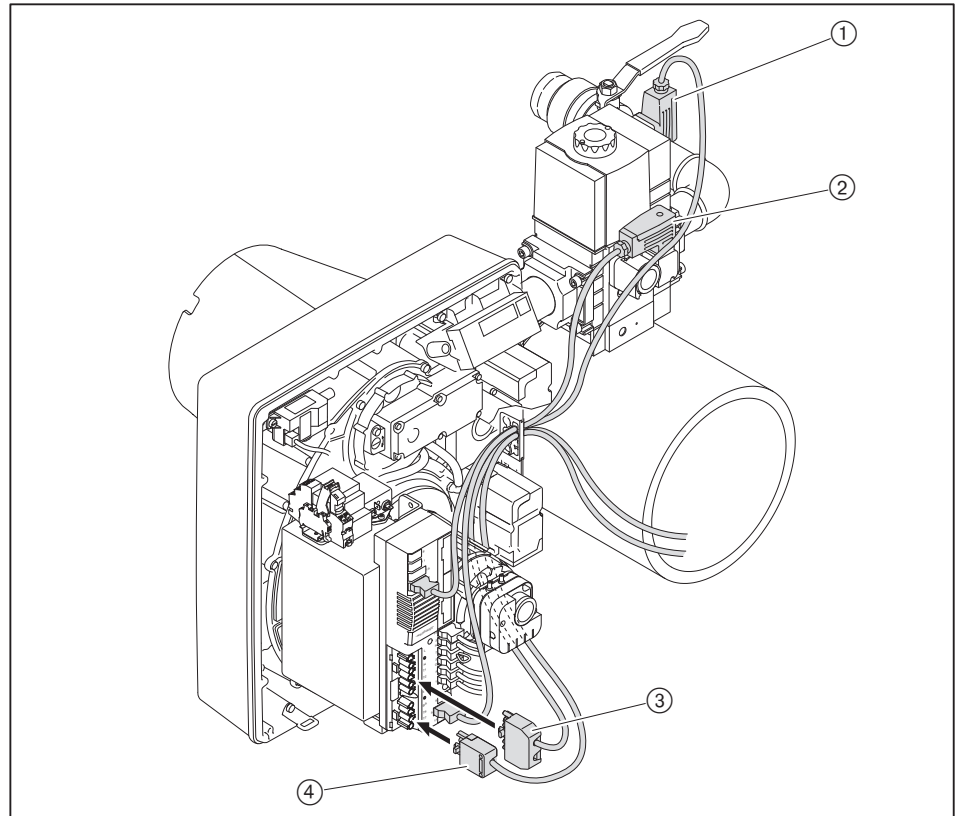
Electric shock caused by frequency convertor

It is possible that electrical components continue to carry voltage and cause electric shock even after the voltage supply has been disconnected.

- ▶ Wait approx. 5 minutes before commencing work.
 - ✓ Electric voltage has dissipated.
-

The electrical connection must only be carried out by qualified electricians.
Observe local regulations.
Observe wiring diagram supplied.

- ▶ Plug in plug for gas pressure switch ② and double gas valve ③ and secure with screws.
- ▶ Check polarity and wiring of 7 pole connection plug ①.
- ▶ Plug in connection plug ①.
- ▶ Check polarity and wiring of 4 pole connection plug ④.
- ▶ Plug in connection plug ④.

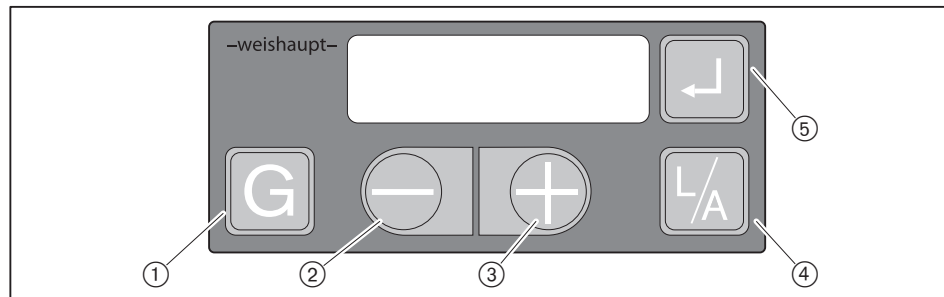


With remote reset, do not exceed maximum cable length of 50 metres.

6 Operation

6 Operation

6.1 Operating panel



①	[G] Gas	Select gas butterfly valve actuator
②	[-]	Change values
③	[+]	
④	[L/A] Air	Select air damper actuator
⑤	[Enter]	<ul style="list-style-type: none"> ▪ Reset burner ▪ Call up information: <ul style="list-style-type: none"> - press for approx. 0.5 seconds: Info level - press for approx. 2 seconds: Service level
③ and ⑤	[+] and [ENTER]	press simultaneously for approx. 2 seconds: Parameter level (only possible with display OFF)
④ and ⑤	[L/A] and [Enter]	press simultaneously: select fan speed



Various actions are only triggered when the key is released, for example changing the display, reset.

OFF function

- ▶ Press [ENTER], [L/A] and [G] keys simultaneously.
- ✓ Immediate lockout with error 18h.

Operating level

The current actuator position and/or the fan speed can be displayed in the operating level (10).

Displaying gas butterfly valve setting:

- ▶ Press key [G].

Displaying air damper setting:

- ▶ Press key [L/A].

Displaying the fan speed:

- ▶ Press [Enter] and [L/A] simultaneously.

Flame signal

The flame signal can be displayed during commissioning (setting level) by using a combination of keys.

- ▶ Press [Enter], [L/A] and [G] keys simultaneously.
- ✓ The flame signal is displayed.

Recommended flame signal, see Service level information 19 [ch. 6.2.2].

Operating status

The exact operating status of the combustion manager can also be displayed. This simplifies determining the cause of a fault during troubleshooting [ch. 11.1].

- ▶ Press and hold [–] and [+] simultaneously for approx. 3 seconds.
- ✓ The combustion manager changes to operating display. The display shows current operating status with a number.

Back to standard display:

- ▶ Press and hold [–] and [+] simultaneously for approx. 3 seconds.

VisionBox Software (optional)

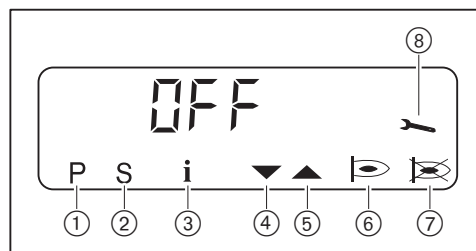
If the VisionBox Software is connected, change-over to the access level must be confirmed via the operating panel.

- ▶ Press [+].
- ✓ Software changes to the access level.

6 Operation

6.2 Display

The display shows the current operating status and operating data.



- ① Setting level activated
- ② Start phase activated
- ③ Info level activated
- ④ Actuator runs CLOSED
- ⑤ Actuator runs OPEN
- ⑥ Burner in operation
- ⑦ Lockout
- ⑧ Service level activated

7E57

Combustion manager performs self test [ch. 3.3.5]

OFF

Standby, no heat demand

OFF S

Shutdown via contact X3:7 (plug No. 7)

OFFUPr

Unprogrammed condition or programming not completed

OFF E

Standby, no heat demand, shutdown via fieldbus module

OFF6d

Insufficient gas low gas pressure switch

10

Current operating phase [ch. 3.3.5]

F1

Under-voltage in Standby
or internal device error, see error memory

F9

Connection to Fieldbus faulty
Acknowledge error: press [-] and [+] keys simultaneously.

6.2.1 Info level

Burner data can be interrogated in the Info level .

- ▶ Press [Enter] for approx. 0.5 seconds.
- ✓ The Info level is activated.
- ▶ Press [Enter] to reach the next information.



No.	Information
0	Total gas consumption in m ³ (via X3:8) Reset value: ▶ Press [L/A] and [+] simultaneously for approx. 2 seconds.
1	Hours run
2	– no function –
3	Burner starts
4	Device item number
5	Index of device item number
6	Device number
7	Production date (DDMMYY)
8	Fieldbus address
9	Valve proving behaviour
11	Current fan speed Display of standardised speed: ▶ Press key [L/A].
12	Current gas consumption (0.1 m ³ /h)
13	Analogue module EM3/3 or Fieldbus module EM3/2 available 0: no 1: yes

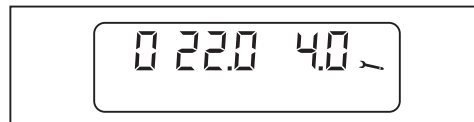
After information 13 or a waiting time of approx. 20 seconds the combustion manager changes over to the operating level.

6 Operation

6.2.2 Service level

The service level provides information about:

- actuator position of the individual operating points
- the most recent fault
- flame signal during burner operation
- ▶ Press [Enter] for approx. 2 seconds.
- ✓ The service level is activated.
- ▶ Press [Enter] to reach the next information.



The speed set can be displayed at information 0 ... 9.

Displaying the fan speed:

- ▶ Press key [L/A].

No.	Information
0	Actuator position in operating point P0
1	Actuator position in operating point P1
2	Actuator position in operating point P2
3	Actuator position in operating point P3
4	Actuator position in operating point P4
5	Actuator position in operating point P5
6	Actuator position in operating point P6
7	Actuator position in operating point P7
8	Actuator position in operating point P8
9	Actuator position in operating point P9
10 ... 18	Fault memory most recent fault ... ninth last occurred fault Display additional information: 1. detailed error codes / operating status: ▶ Press [+] key. 2. detailed error codes: ▶ Press [-] and [+] keys simultaneously. Repetition counter: ▶ Press key [G].
19	Flame signal Range: 00 ... 58 <ul style="list-style-type: none"> ▪ < 50: poor quality ▪ 50 ... 58: high quality recommended value: > 50

After information 19 or a waiting time of approx. 20 seconds the combustion manager changes over to the operating level.

6.2.3 Parameter level

Settings at parameter level must only be carried out by qualified personnel.

The parameter level can only be called up in Standby (OFF) mode.

- ▶ Press [+] and [Enter] keys simultaneously for approx. 2 seconds.
- ✓ The parameter level is activated.



- ▶ Press [+] key.
- ▶ Press [Enter] to reach the next parameter.
- ✓ Only then will the value be stored.

Pno.	Parameters	Setting range	Factory setting
1	Fieldbus address	0 ... 254 / OFF Switch over to OFF and address: ▶ Briefly press [-] and [+] simultaneously.	OFF
2	Actuator position in Standby	0.0 ... 90.0° Change air damper setting: ▶ Press [L/A] and [+] or [-]. Change gas butterfly valve setting: ▶ Press [G] and [+] or [-].	0.0
		0.0 ... 100 % Change fan speed: ▶ Press [Enter] and [L/A] simultaneously and press [+] or [-].	0.0
3	Function fieldbus module -or- function analogue module	The parameter is dependent on the module used. Setting range of parameters, see installation and operating manual of module. Fieldbus module (response to heat demand): 2: Bus default and control circuit (T1/T2) activated Analogue module: 2: DIP switches activated	2
4	Post-purge time	0 ... 4095 s	2
5	Fault memory	0: fault memory is empty 1: fault memory contains data Delete fault memory: ▶ Press [L/A] and [+] simultaneously for approx. 2 seconds.	-
6	Factor for gas consumption Impulse rate of meter per m ³	1 ... 65535 200 impulses ± 1 m ³ ▶ Adjust factor depending on impulse rate of gas meter.	200
A	Low gas pressure switch/valve proving gas pressure switch (X3:12)	0: not activated 1: Proof-of-closure (valve 1) 2: without low gas pressure switch 3: with low gas pressure switch	3
b	Air pressure switch (X3:11) (display only, no adjustment possible)	0: not activated 1: activated	1

6 Operation

Pno.	Parameters	Setting range	Factory setting
C	Operating mode output X3:1	0: not activated 1: with pilot valve not interrupted 2: with pilot valve interrupted 3: Standard (external LPG valve)	3
d	Flame sensor	0: ionisation electrode or flame sensor FLW 1: switch input (X3:14) 2: flame sensor QRB4 or flame sensor for continuous operation	0
E	Display mode	0: E-parameter is not activated in the access level 1: E-parameter is activated in the access level Settings 2 and 3 are required for O ₂ trim, see supplementary sheet "O ₂ trim W burners" (Print No. 835587xx).	0
F	Restart attempts following flame failure	0 ... 1	1
H	Actuator setting for post-purge	0.0 ... 90.0° Change air damper setting: ▶ Press [L/A] and [+] or [-].	20.0
		0.0 ... 100 % Change fan speed: ▶ Press [Enter] and [L/A] simultaneously and press [+] or [-].	50.0
L	Load shutdown	0.0 ... 4095 seconds If there is no longer a demand for heat, the W-FM reduces the burner capacity and closes the fuel valves after the time set has elapsed. If partial load is reached before the time has elapsed, the fuel valves close immediately.	0
n	Operating mode O ₂ trim (only in conjunction with O ₂ trim)	0: not activated Additional parameters can be displayed with setting 1 ... 4, see supplementary sheet "O ₂ trim W burners" (Print No. 835587xx).	0

After the last parameter or a waiting time of approx. 20 seconds the combustion manager changes over to the operating level.

6.2.4 Access level

Settings at access level must only be carried out by qualified personnel.

The configuration can be adapted relative to the burner type and/or version in the access level.

In the parameter level, the display mode must be configured to 1, to enable access to parameters E0 ... E3 [ch. 6.2.3].

- ▶ Press [G] and [L/A] simultaneously.
- ✓ The access level is activated.



- ▶ Press [+] key.
- ✓ Parameter E0 is displayed.
- ▶ Press and hold [Enter] key and set the parameter using [+] or [-].
- ▶ Press [+] to reach the next parameter.

Parameters	Information	Setting range
E0	Burner type	0: single fuel burner 1: dual fuel burner
E1	Operating mode (display only, no adjustment possible)	0: intermittent operation 1: continuous operation
E2	Flame sensor type	0: ionisation electrode or flame sensor KLC 1: switch input (X3:14) 2: flame sensor QRB4 or flame sensor for continuous operation
E3	Fan configuration	0: Off 1: fan control 2: fan control with fan monitoring 3: VSD 4: fan control according to modulating degree specified 5: DAU control 6 ... 255: off

6 Operation

6.3 Linearisation

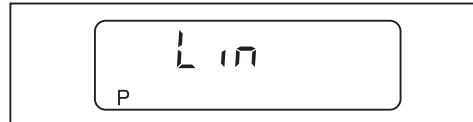
During commissioning it is possible to carry out linearisation of the operating points in gas operation.

During linearisation a straight line is generated from the operating point displayed to P9. The values on the straight are adopted as the new operating points.

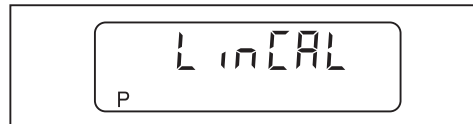
Initiate a calculation after P9

- ▶ Press [Enter].
- ✓ Combustion manager changes to linearisation mode.

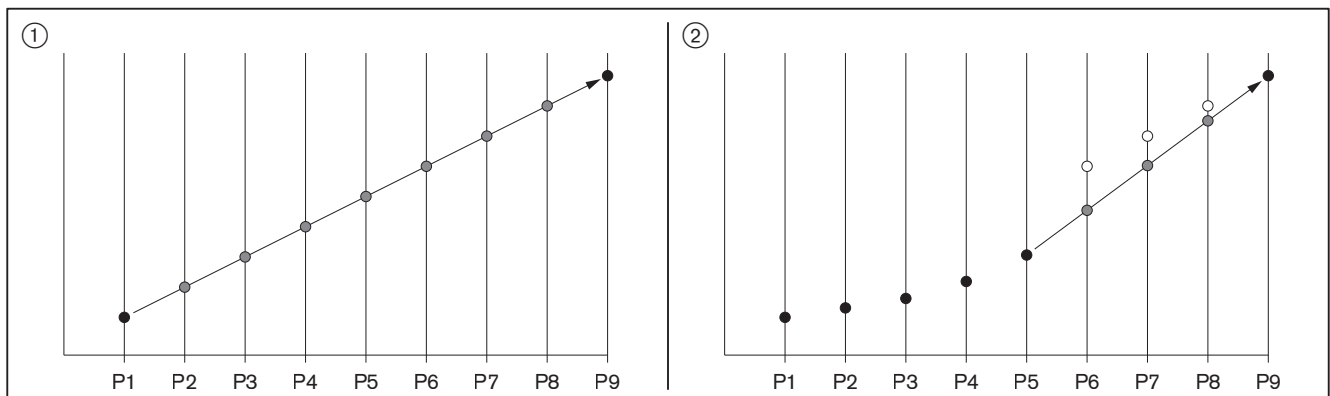
The linearisation mode can be interrupted using the [-] key.



- ▶ Confirm with [+] key.
- ✓ Linearisation is initiated.



Example:



- ① Calculation from P1 to P9
- ② Calculation from P5 to P9

7 Commissioning

7.1 Prerequisite

Commissioning must only be carried out by qualified personnel.

Only correctly carried out commissioning ensures the operational safety.



Do not operate the burner outside of the capacity graph [ch. 3.4.6].

- ▶ Prior to commissioning ensure that:
 - all assembly and installation work has been carried out correctly
 - sufficient combustion air is available and, if necessary, a ducted air intake is installed
 - the annulus between insulator and heat exchanger is filled
 - the heat exchanger is filled with medium
 - the regulating, control and safety devices are functioning and set correctly
 - the flue gas ducts are unimpeded
 - a measuring point conforming to standards is available to measure the flue gas
 - the heat exchanger and flue gas ducting up to the test point are sound, as extraneous air influences the test results
 - the operating instructions of the heat exchanger are complied with
 - a heat demand is available

Additional system-related tests could be necessary. Please observe the operating guidelines for the individual components.

On installations with process equipment, the conditions for safe operation and commissioning must be met, see worksheet 8-1 (Print No. 831880xx).

7 Commissioning

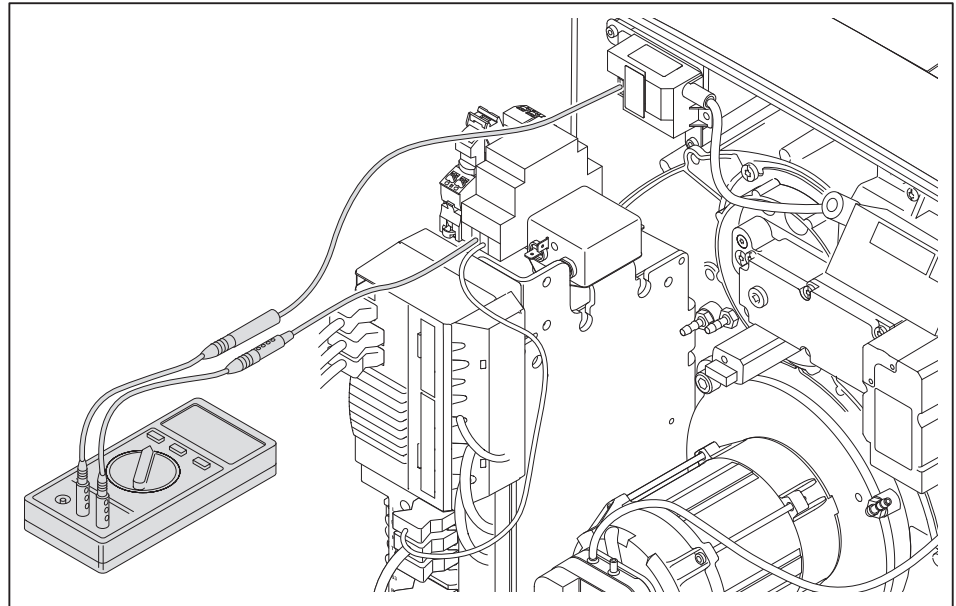
7.1.1 Connect measuring devices

Measuring device for ionisation current

- ▶ Remove ionisation cable from the plug coupling.
- ▶ Connect ammeter in series.

Ionisation current

Extraneous light detection from	1 μ A
Minimum ionisation current	5 μ A
Recommended ionisation current	9 ... 15 μ A



7.1.2 Check gas connection pressure

Minimum connection pressure



Add the combustion chamber pressure in mbar to the minimum connection pressure. The connection pressure should not fall below 15 mbar.

- ▶ Determine minimum connection pressure for low pressure installations from table [ch. 7.1.5].

Maximum connection pressure

Maximum connection pressure into isolation valve is 300 mbar.

Check connection pressure



Risk of explosion due to excess gas supply pressure

Exceeding the maximum connection pressure (see name plate) can damage the gas valve train and lead to an explosion.

Max. connection pressure see name plate.

- ▶ Check gas connection pressure



Only in conjunction with W-MF and gas connection pressure > 150 mbar

The pressure measuring device must be connected to the pressure regulator.

- ▶ Check gas connection pressure, see additional sheet (Print No. 835109xx).

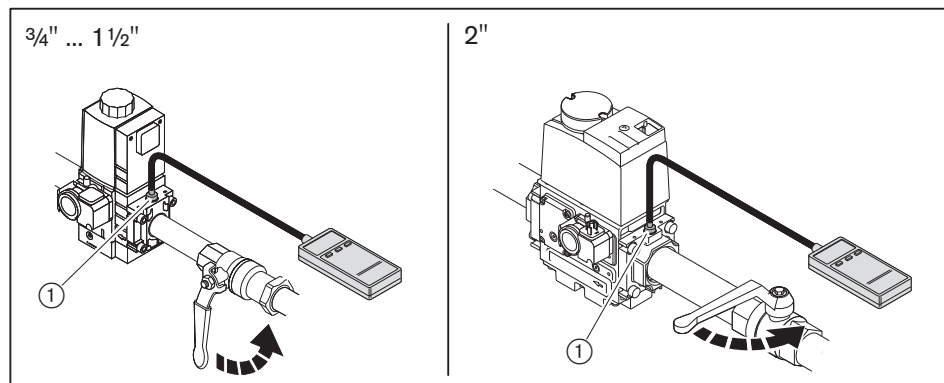
- ▶ Connect pressure measuring device to test point ①.
- ▶ Slowly open isolation valve whilst observing the pressure increase.

If the connection pressure exceeds the max. connection pressure:

- ▶ Immediately close isolation valve.
- ▶ Do not start plant.
- ▶ Notify system operator.

If the connection pressure does not maintain the min. connection pressure:

- ▶ Do not start plant.
- ▶ Notify system operator.



7 Commissioning

7.1.3 Check soundness of gas valve train

Carry out soundness test:

- prior to commissioning
- after all service and maintenance work

	First test phase	Second and third test phase
Test pressure	100 mbar ±10 %	100 mbar ±10 %
Waiting time for pressure equalisation	5 minutes	5 minutes
Test time	5 minutes	5 minutes
Permissible pressure loss	1 mbar	5 mbar

First test phase



Only in conjunction with W-MF and gas connection pressure > 150 mbar

In the first test phase, the testing device must be connected to the pressure regulator.

- ▶ Check soundness of gas valve train, see additional sheet (Print No. 835109xx).

In the first phase the valve train section from the gas isolation valve up to the first valve of the multifunction assembly is tested.

- ▶ Switch off burner.
- ▶ Close gas isolation valve.
- ▶ Connect test equipment.
- ▶ Open test point between valve 1 and valve 2.
- ▶ Carry out test to table.

Second test phase

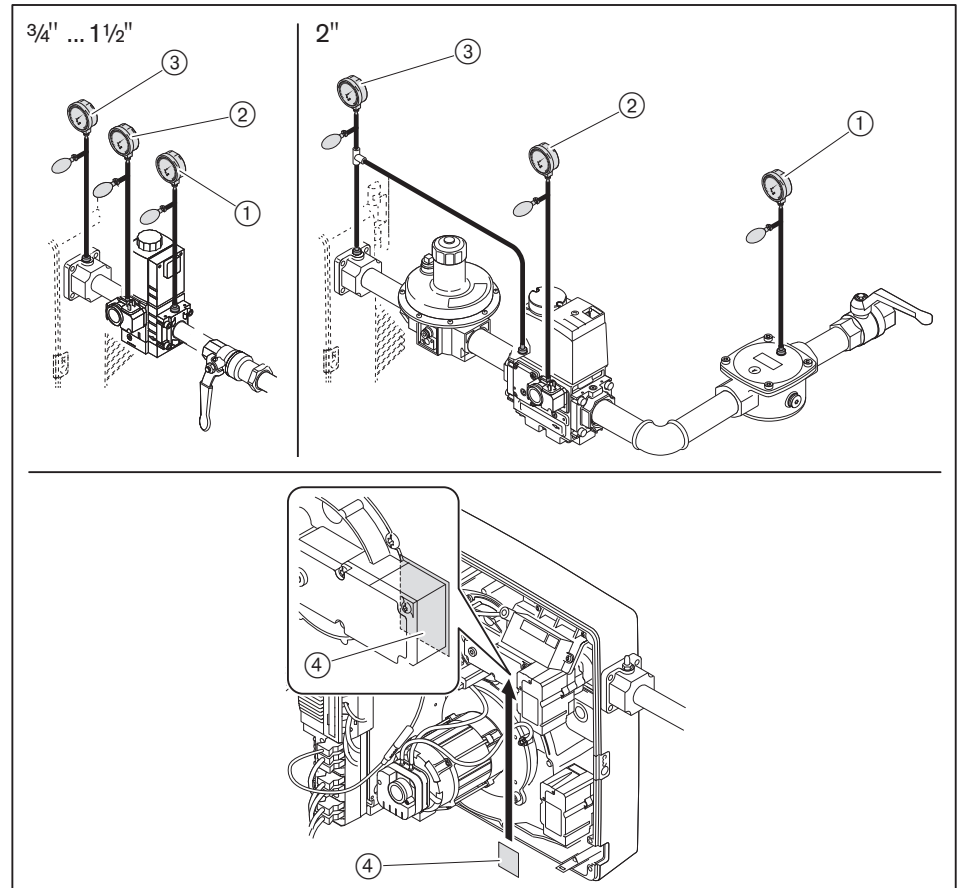
In the second phase the interspace in the double gas valve is tested.

- ▶ Connect test equipment.
- ▶ Carry out test to table.

Third test phase

In the third phase the valve train section from the multifunction assembly up to the gas butterfly valve is tested.

- ▶ Remove mixture distributor [ch. 9.3].
- ▶ Fit blanking plate (4).
- ▶ Fit mixture distributor.
- ▶ Connect test equipment.
- ▶ Carry out test to table.
- ▶ Close all test points.
- ▶ Remove blanking plate.



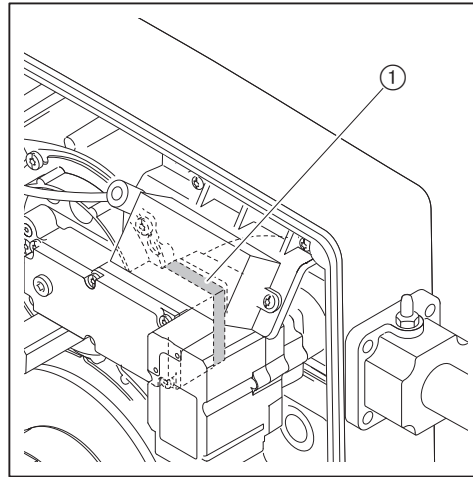
- ① First test phase
- ② Second test phase
- ③ Third test phase
- ④ Blanking plate

7 Commissioning

Fourth test phase

In the fourth test phase, the joint to the mixture distributor ① is tested for soundness. The test phase can only be carried out during or after burner commissioning.

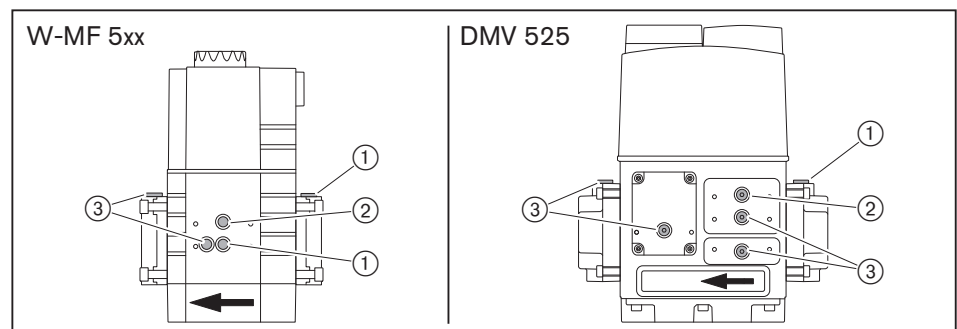
A leak detecting spray or electronic gas detector should be used for testing.



Use only leak detecting foam solutions, which do not cause corrosion, see DVGW-TRGI, worksheet G 600.

- ▶ Check all components, intersections and test points of the gas valve train between multifunction assembly and burner [ch. 7.3].
- ▶ Document result of the soundness test on the engineer's report.

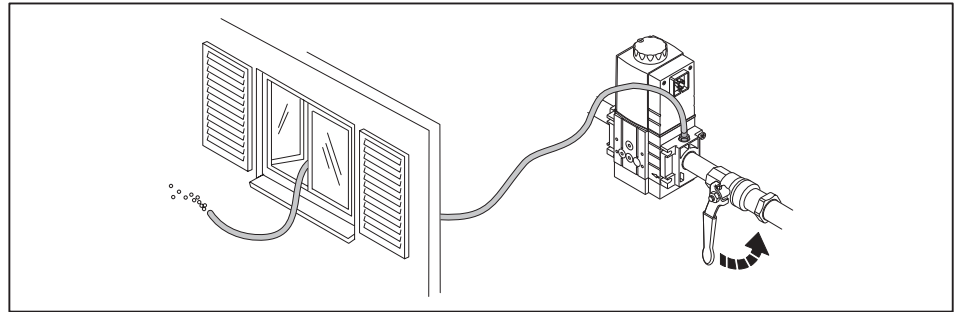
Test points



- ① Pressure into valve 1
- ② Pressure between valve 1 and valve 2
- ③ Pressure after valve 2

7.1.4 Purging the gas valve train

- ▶ Open test point into valve 1 [ch. 7.1.3].
- ▶ Connect an approved vent hose to the test point.
- ▶ Vent hose must lead to atmosphere.
- ▶ Slowly open gas isolation valve.
- ✓ The gas/air mixture in the valve train vents via the hose to safe atmosphere.
- ▶ Close gas isolation valve.
- ▶ Remove vent hose and immediately close test point.
- ▶ Use a test burner to ensure no air is present in the valve train.



7.1.5 Preset pressure regulator

Determine setting pressure



Add the combustion chamber pressure in mbar to the setting pressure into the gas butterfly valve.

► Determine setting pressure from the table and note down.

The details given for calorific value H_i relate to 0 °C and 1013 mbar.

The table values have been calculated under ideal conditions. The values are therefore guide values for basic settings.

Full load [kW]	Setting pressure into gas butterfly valve [mbar]	Min. connection pressure into isolation valve [mbar] (low pressure supply)			
		Nominal diameter valve train	¾"	1"	1½"
		W-MF 507	W-MF 512	W-MF 512	DMV 525
Natural Gas E: $H_i = 10.35 \text{ kWh/m}^3$, $d = 0.606$					
150	7.5	12	10	10	10
200	7.5	15	11	10	10
250	7.5	19	12	11	11
300	7.5	23	14	11	11
350	7.8	28	16	12	12
400	8.5	35	19	13	13
450	9.7	42	22	15	14
500	11.3	51	26	18	16
550	13.4	62	31	21	19
600	16.0	73	37	25	22
Natural Gas LL: $H_i = 8.83 \text{ kWh/m}^3$, $d = 0.641$					
150	10.0	17	13	13	13
200	10.0	20	15	13	13
250	10.0	26	16	13	13
300	10.0	32	19	14	14
350	10.7	40	22	16	15
400	11.8	49	26	18	17
450	13.6	61	31	21	19
500	16.0	74	37	25	22
550	19.1	89	44	30	26
600	22.9	105	52	35	31

Full load [kW]	Setting pressure into gas butterfly valve [mbar]	Min. connection pressure into isolation valve [mbar] (low pressure supply)			
		3/4"	1"	1 1/2"	2"
Nominal diameter valve train		3/4"	1"	1 1/2"	2"
		W-MF 507	W-MF 512	W-MF 512	DMV 525
Liquid Petroleum Gas: $H_i = 25.89 \text{ kWh/m}^3$, $d = 1.555$ The selection is calculated for Propane, it can however, also be used for Butane.					
150	7.0	10	9	9	-
200	7.0	11	9	9	-
250	7.0	12	10	9	-
300	7.0	14	10	9	-
350	7.0	16	11	10	-
400	7.0	19	12	10	-
450	7.6	22	14	11	-
500	8.7	26	16	12	-
550	10.5	31	19	15	-
600	12.8	37	22	17	-

Preset setting pressure

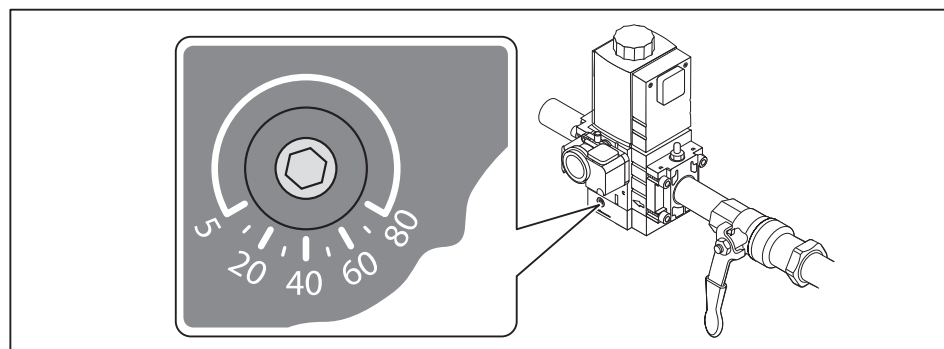


Only in conjunction with W-MF and gas connection pressure > 150 mbar

The pre-pressure must be set to approx. 90 mbar.

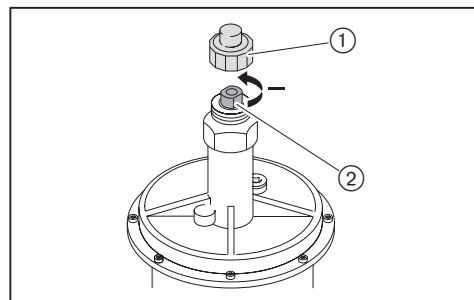
- ▶ Set FRS pressure regulator, see additional sheet (Print No. 835109xx).

- ▶ Preset setting pressure determined at multifunction assembly.



De-energise pressure regulator (2")

- ▶ Remove closing cap ① and de-energise spring ②.



7 Commissioning

7.1.6 Setting values



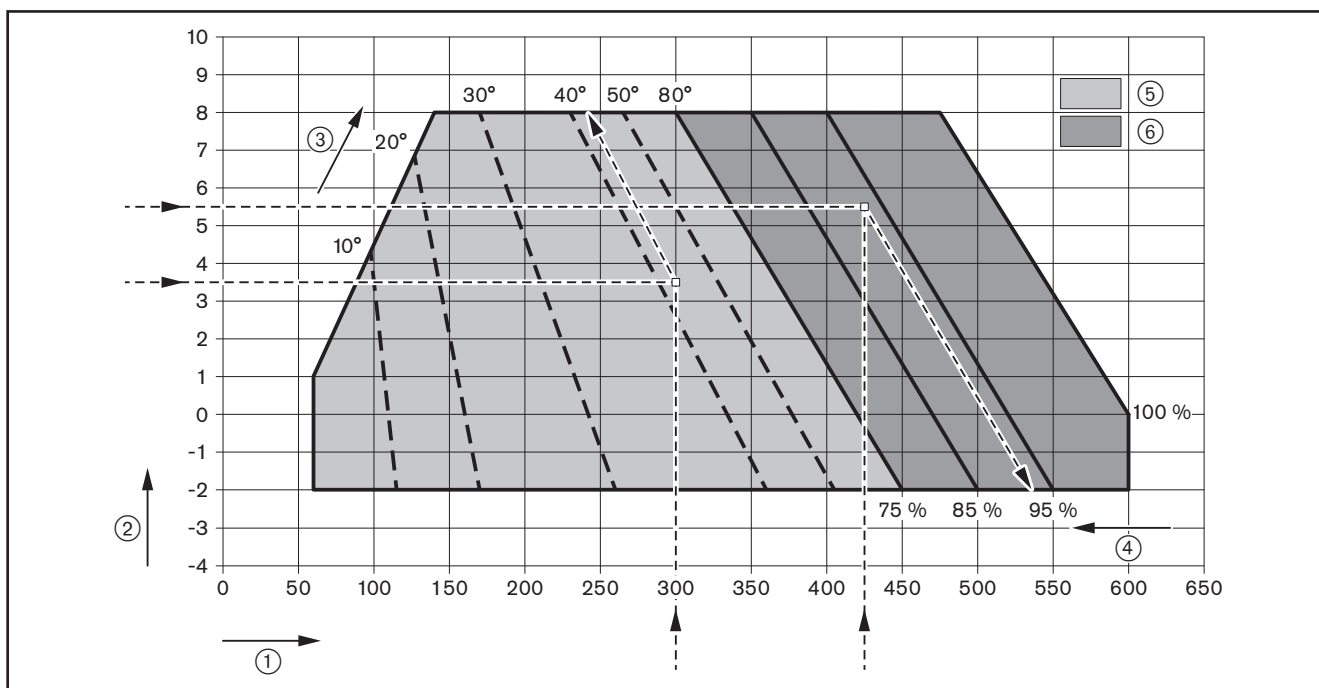
Do not operate the burner outside of the capacity graph [ch. 3.4.6].

Set air damper setting and fan speed relative to the combustion heat rating required.

- Determine air damper setting and fan speed required from the diagram and note down.

Example

	Example 1	Example 2
Burner capacity required	300 kW	425 kW
Combustion chamber pressure	3.5 mbar	5.5 mbar
Air damper setting	43°	80°
Fan speed	75 %	92 %



- ① Combustion heat rating [kW]
- ② Combustion chamber pressure [mbar]
- ③ Air damper setting in degree of angle⁽¹⁾
- ④ Fan speed in percent⁽¹⁾
- ⑤ Setting range of air damper with fan speed 75 %
- ⑥ Setting range of fan speed with air damper setting > 80°

⁽¹⁾ Different settings may be required depending on site conditions.

7.1.7 Preset gas and air pressure switch

The presetting of the pressure switches is only valid during commissioning. Once commissioning has been completed the pressure switches must be set correctly [ch. 7.4].

Air pressure switch for fan	approx. 1 mbar
Air pressure switch for intake air filter	-2.0 mbar
Low gas pressure switch/valve proving gas pressure switch	12 mbar
High gas pressure switch (optional)	approx. twice control pressure

7 Commissioning

7.2 Adjusting the burner



Risk of electric shock

Touching the ignition device can lead to electric shock.

- ▶ Do not touch ignition device during the ignition process.



With seasonal fluctuations in air intake temperature, the NO_x and O₂ values must be readjusted.

- ▶ Adjust burner twice a year (summer and winter settings).

- ▶ Check flame signal during commissioning [ch. 7.1.1].

1. Preset combustion manager

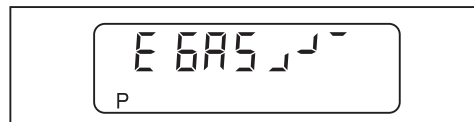
- ▶ Unplug bridging plug No. 7 on combustion manager.
- ▶ Switch on voltage supply.
- ✓ Combustion manager drives to Standby.



- ▶ Press [G] and [L/A] keys simultaneously.
- ✓ Combustion manager changes to access level.



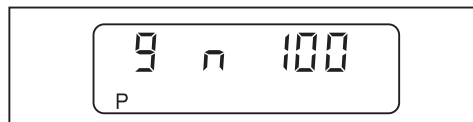
- ▶ Press [+] key.
- ✓ Combustion manager changes into the setting level for step points.



- ▶ Press [+] key.
- ✓ Factory setting operating point P9 (full load) is displayed.



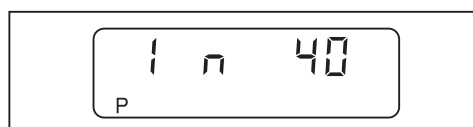
- ▶ Press and hold [L/A] key and set air damper setting determined using the [-] or [+] key [ch. 7.1.6].
- ▶ Press and hold [G] key using [-] or [+] key set gas butterfly valve to the same value.
- ▶ Press [Enter] and [L/A] simultaneously.
- ✓ Factory setting fan speed (100 %) is displayed.



- ▶ Press and hold [L/A] and [G] simultaneously and use [-] or [+] to set the fan speed determined [ch. 7.1.6].
- ▶ Press [+] key.
- ✓ Factory setting operating point P1 (partial load) is displayed.



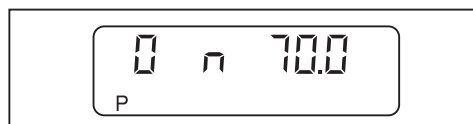
- ▶ Check operating point P1 and if necessary adjust:
 - Natural Gas: gas butterfly valve setting [G] 8.0°, air damper setting [L/A] 8.0°
 - LPG: gas butterfly valve setting [G] 5.0°, air damper setting [L/A] 15.0°
- ▶ Press [Enter] and [L/A] simultaneously.
- ✓ Factory setting fan speed (40 %) is displayed.



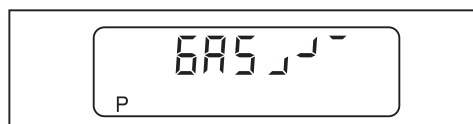
- ▶ Press [+] button to confirm factory setting.
- ✓ Factory setting operating point P0 (ignition position) is displayed.



- ▶ Check operating point P0 and if necessary adjust:
 - Natural Gas: gas butterfly valve setting [G] 12.0°, air damper setting [L/A] 0.0°
 - LPG: gas butterfly valve setting [G] 5.0°, air damper setting [L/A] 5.0°
- ▶ Press [Enter] and [L/A] simultaneously.
- ✓ Factory setting fan speed (70 %) is displayed.



- ▶ Press [+] button to confirm factory setting.
- ✓ Combustion manager is preset.



7 Commissioning

2. Check sequence of operation

- ▶ Open gas isolation valve.
- ✓ Pressure in gas valve train increases.
- ▶ Close isolation valve.
- ▶ Plug in bridging plug No. 7 on combustion manager.
- ✓ Burner starts.
- ✓ Valve proving is carried out.

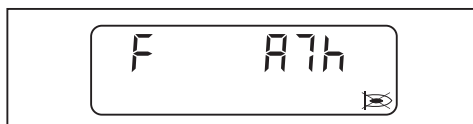
Speed standardisation is started.



- ▶ Press [+] key within 20 seconds.
- ✓ Speed standardisation is carried out.
- ✓ U and the current fan speed are displayed.



- ▶ Wait approx. 5 seconds, until the fan speed has stabilised.
- ▶ Press [+] key within 15 seconds.
- ✓ Speed standardisation is complete.
- ▶ Check sequence of operation:
 - valves open
 - gas pressure switch reacts
 - burner start is interrupted
 - burner does not detect a flame and goes to lockout



- ▶ Reset burner using the [ENTER] key.
- ✓ Combustion manager drives to Standby.



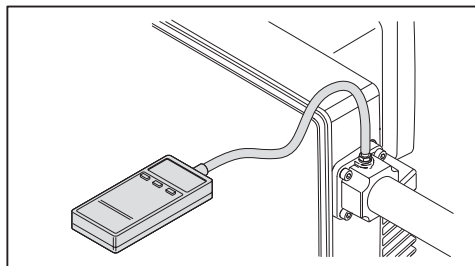
3. Preset setting pressure



If a controlled shutdown or lockout occurs during setting:

- ▶ Briefly press [G] and [L/A] keys simultaneously.
- ▶ Press [+] key.
- ✓ Combustion manager changes to setting level.

- ▶ Open test point for setting pressure and connect pressure measuring device.

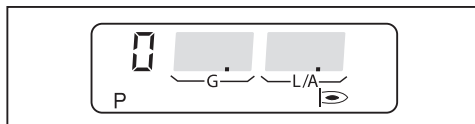


- ▶ Open gas isolation valve.
- ▶ Briefly press [-] and [+] keys simultaneously.
- ✓ The display shows E ACCESS.



- ▶ Press [+] key.

Burner starts according to the sequence of operation and stops at operating point P0 (ignition position).

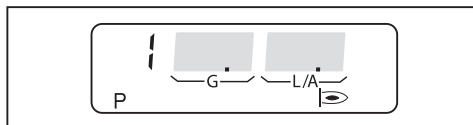


- ▶ Preset setting pressure determined at multifunction assembly [ch. 7.1.5].
- ▶ Check CO content of combustion and if necessary adjust combustion values via gas butterfly valve setting [G].

7 Commissioning

4. Drive to full load

- ▶ Press [+] key.
- ✓ Burner drives to operating point P1.



- ▶ Check CO content of combustion and if necessary adjust combustion values via gas butterfly valve setting [G].
- ▶ Press [+] key.
- ✓ Next operating point is initiated.
- ▶ Repeat steps at each operating point until P9 has been reached.



5. Adjust full load

If the burner is operated with a hydrogen content of > 10 % in the natural gas, observe the supplementary manual with hydrogen content (Print No. 835927xx).

When adjusting, the ratings data given by the boiler manufacturer and the capacity graph of the burner should be observed [ch. 3.4.6].



Select speed at full load as low as possible, but not less than 75 %. Observe flame stability.

- ▶ Calculate gas throughput (operating volume V_B) required [ch. 7.7].
- ▶ Optimise setting pressure and/or gas butterfly valve setting [G] until gas throughput (V_B) has been reached.
- ▶ Check combustion values.
- ▶ Set the required NO_x content via the air damper using [L/A].



- ▶ O₂ content must not fall below 5 %.
- ▶ NO_x content must not fall below 18 mg/kWh.

O ₂ content	NO _x content natural gas	NO _x content LPG
7.5 %	approx. 20 mg/kWh	–
6.5 %	approx. 30 mg/kWh	approx. 60 mg/kWh
6.0 %	approx. 50 mg/kWh	approx. 80 mg/kWh
5.0 %	approx. 80 mg/kWh	approx. 140 mg/kWh

From an air damper position of 90°, the NO_x content can only be reduced by closing the gas butterfly valve using button [G] and/or via the pressure regulator.

- ▶ Determine gas throughput again.
- ▶ If necessary adjust setting pressure at pressure regulator and reset excess air.



If the O₂ content is higher, the combustion chamber pressure increases.



The setting pressure must not be altered once this work has been completed.

6. Carry out stability control

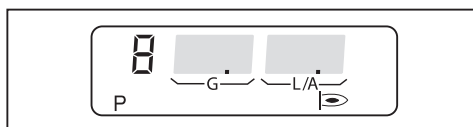
- ▶ Increase air quantity until the O₂ content increases by approx. 1 %.
- ▶ Evaluate flame stability.
- ▶ Reset settings to the original value.



If it is not possible to increase the O₂ content via the air quantity, close gas butterfly valve.

7. Adjusting operating point P1

- ▶ Press [-] key.
- ✓ P9 is saved.
- ✓ Burner drives to operating point P8.



- ▶ Check CO content of combustion and if necessary adjust combustion values via gas butterfly valve setting [G].
- ▶ Press [-] key.
- ✓ Next operating point is initiated.
- ▶ Repeat steps at each operating point until P1 has been reached.



The speed at operating point P1 must not be less than 40 %.

A minimum speed of 40 % should be aimed for in operating point P1 whilst observing combustion values and flame stability.

Operating point P1 must lie within the capacity graph [ch. 3.4.6].

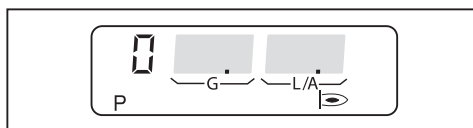
- ▶ Determine gas throughput and if necessary adjust via gas butterfly valve setting [G].
- ▶ Check combustion values.

8. Adjust ignition load



The ignition speed must not be less than 70 %.

- ▶ Press [-] key.
- ✓ Burner drives to operating point P0 (ignition position).

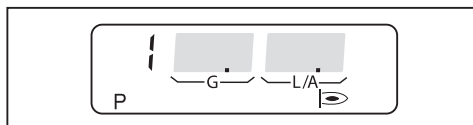


- ▶ Check combustion values in operating point P0 (ignition position).
- ▶ Set O₂ content of 5 ... 6 % above gas butterfly valve setting [G].

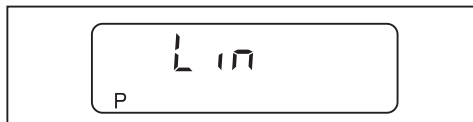
7 Commissioning

9. Perform linearisation [ch. 6.3]

- ▶ Press [+] key.
- ✓ Burner drives to operating point P1.



- ▶ Press [Enter].
- ✓ Combustion manager changes to linearisation mode.



- ▶ Confirm with [+] key.
- ✓ Linearisation is initiated.
- ✓ The display then shows operating point P1.
- ✓ Calculation from P1 to P9 was carried out.

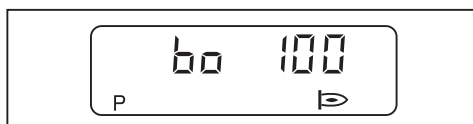


10. Optimising the operating points

- ▶ Check combustion values.
- ▶ Press and hold [G] and optimise combustion values using [-] or [+] key.
- ▶ Set O₂ content of 5 ... 8 % above gas butterfly valve setting [G].
- ▶ Check combustion values.
- ▶ Press [+] key.
- ✓ Next operating point is initiated.
- ▶ Repeat steps at each operating point until P9 has been reached.

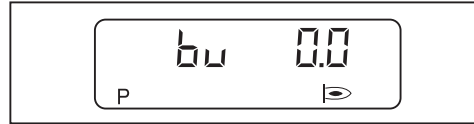


- ▶ Press [G] and [L/A] keys simultaneously.
- ✓ The upper operating limit (bo) is displayed.



11. Adjust partial load

- ▶ Press [G] and [L/A] keys simultaneously.
- ✓ Burner drives to partial load.
- ✓ The lower operating limit is displayed (bu).



- ▶ Define partial load whilst observing:
 - data supplied by boiler manufacturer
 - burner capacity graph [ch. 3.4.6]
- ▶ Determine gas throughput and if necessary adjust partial load (bu) using [+] key.
- ▶ Press [G] and [L/A] keys simultaneously.
- ✓ Combustion manager changes to operating level (10).
- ✓ Combustion manager is programmed.



12. Check start behaviour

- ▶ Switch off and restart burner.
- ▶ Check start behaviour and if necessary correct operating point P0 (ignition position).

If the ignition position has been altered:

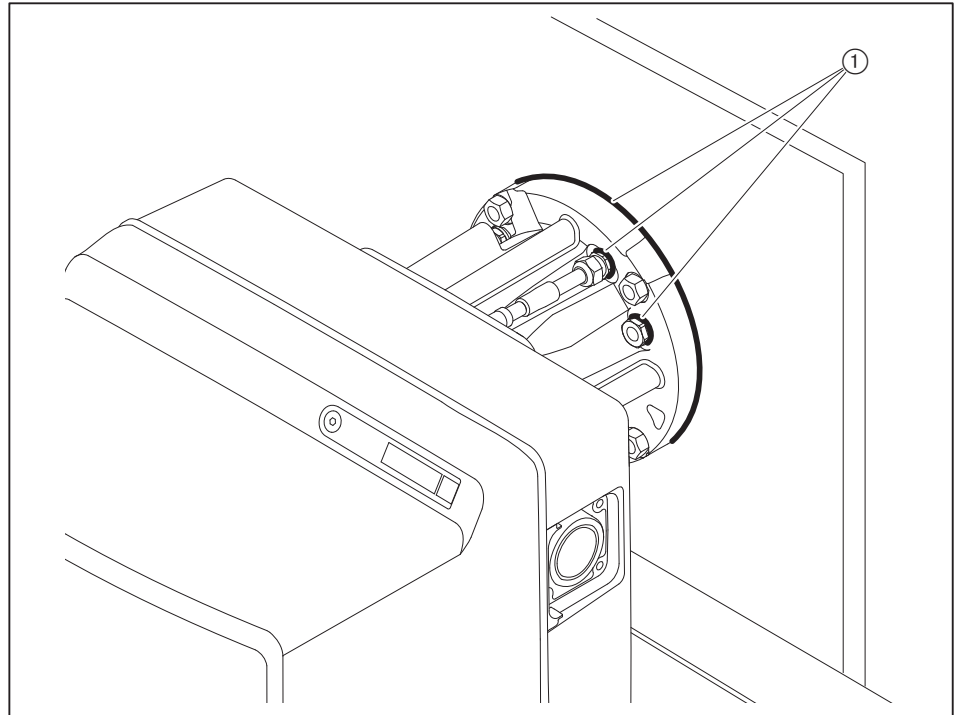
- ▶ Re-check start behaviour.

7 Commissioning

7.3 Check soundness of burner flange

Use foaming agents, a leak detection spray or an electronic gas detector to check for leaks.

- ▶ Start burner and drive to full load.
- ▶ Check all components and transitions ① on the burner flange.
- ▶ If necessary, tighten screws, nuts and components.
- ▶ Document result of the soundness test on the engineer's report.



7.4 Set pressure switches

7.4.1 Set gas pressure switch

Low gas pressure switch/valve proving gas pressure switch

The switch point must be checked and if necessary adjusted during commissioning.

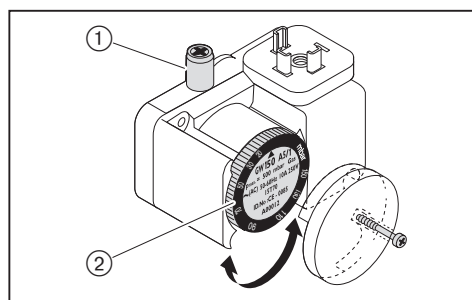
- ▶ Connect pressure measuring device to test point ① of the low gas pressure switch.
- ▶ Start burner and drive to full load.
- ▶ Slowly close gas isolation valve until either:
 - O₂ content in the flue gas increases to above 8.5 %
 - the flame stability worsens considerably
 - the CO content increases
 - the gas pressure reaches 12 mbar
 - or the gas pressure drops to 50 %
- ▶ Determine gas pressure.
- ▶ Slowly open gas isolation valve.
- ▶ Set the pressure determined as switch point at the setting cam ②, minimum value 12 mbar.

Check switch point

- ▶ Restart the burner.
- ▶ Slowly close gas isolation valve.
- ✓ If the low gas program starts, the gas pressure switch has been set correctly.
- ✓ If a lockout occurs or if the combustion reaches a critical condition, the low gas pressure switch reacts too late.

If lockout occurs:

- ▶ Increase switch point at setting cam ②.
- ▶ Slowly open gas isolation valve.
- ▶ Re-check switch point.



Set (optional) high gas pressure switch

Depending on the burner application, optional equipment may be required for optimum operation [ch. 12.2].

- ▶ Set high gas pressure switch to $1.3 \times P_{\text{Gas full load}}$ (gas flow pressure at full load).

7 Commissioning

7.4.2 Set fan air pressure switch

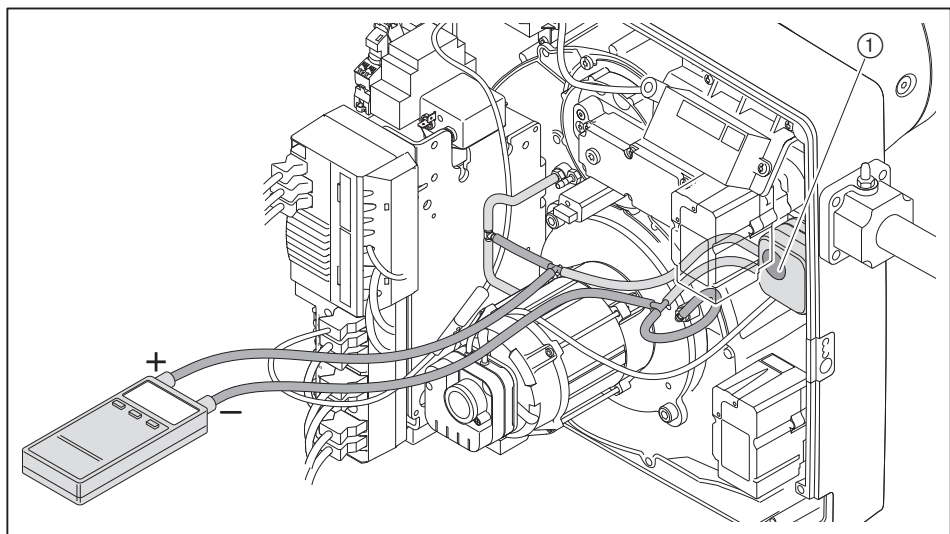
The switch point must be checked and if necessary adjusted during commissioning.

- ▶ Connect pressure measuring device for differential pressure measurement.
- ▶ Start the burner.
- ▶ Carry out differential pressure measurement across the whole capacity range of the burner and determine the lowest differential pressure.
- ▶ Calculate switch point (80 % of release pressure or lowest differential pressure).
- ▶ Set the switch point determined at the setting cam ①.

Example

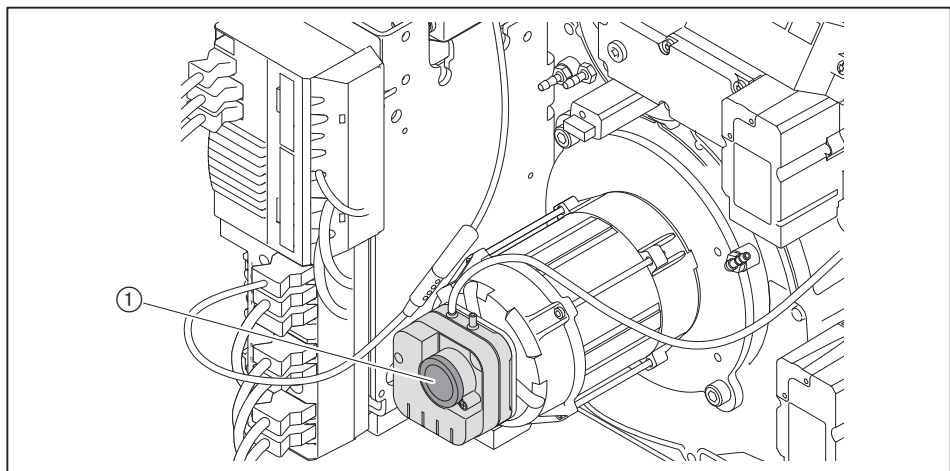
Lowest differential pressure	3 mbar
Switch point air pressure switch (80 %)	$3 \text{ mbar} \times 0.8 = 2.4 \text{ mbar}$

Site specific influences on the air pressure, (e. g. by the flue gas system, heat exchanger, installation location or air supply) may make it necessary to vary the setting of the air pressure switch.



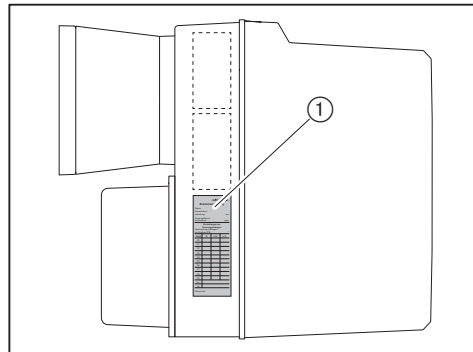
7.4.3 Set intake air filter air pressure switch

- ▶ Check factory presetting of air pressure switch ① and if necessary adjust: -2 mbar (LGW 3)



7.5 Concluding work

- ▶ Check control and safety devices.
- ▶ Remove gas pressure measuring devices and close all test points.
- ▶ Conclude valve proving of gas valve train (fourth test phase) [ch. 7.1.3].
- ▶ Enter type and serial number into the text box [ch. 3.2].
- ▶ Enter combustion values and settings in the commissioning record and/or test sheet.
- ▶ Enter setting values on the sticker ① supplied.
- ▶ Adhere sticker to the burner.
- ▶ Mount cover on burner.
- ▶ Inform the operator about the use of the equipment.
- ▶ Hand the installation and operating manual to the operator and inform him that this should be kept with the appliance.
- ▶ Point out to operator that the installation should be serviced annually.



7 Commissioning

7.6 Check combustion

Set O₂ content

- ▶ Set O₂ content relative to NO_x requirement [ch. 3.4.6].
- ▶ Increase air quantity until the O₂ content increases by approx. 1 %.
- ▶ Evaluate flame stability.
- ▶ Reset settings to the original value.

- ▶ Measure and document O₂ content.

Check flue gas temperature

- ▶ Check flue gas temperature.
- ▶ Ensure that the flue gas temperature complies with the data provided by the boiler manufacturer.
- ▶ If necessary adjust flue gas temperature, e. g.:
 - increase burner capacity in partial load to avoid condensation in the flue gas ducts, except on condensing units
 - reduce burner capacity in full load to improve efficiency
 - adjust heat exchanger to the data provided by the manufacturer

Determine flue gas losses

- ▶ Drive to full load.
- ▶ Measure combustion air temperature (t_L) near the air damper(s).
- ▶ Measure oxygen content (O₂) and flue gas temperature (t_A) at the same time at one point.
- ▶ Determine flue gas losses using the following formula:

$$q_A = (t_A - t_L) \cdot \left(\frac{A_2}{21 - O_2} + B \right)$$

- q_A Flue gas losses [%]
- t_A Flue gas temperature [°C]
- t_L Combustion air temperature [°C]
- O₂ Volumetric content of oxygen in dry flue gas [%]

Fuel factors	Natural Gas	Liquid Petroleum Gas
A ₂	0.66	0.63
B	0.009	0.008

7.7 Calculate gas throughput

Formula symbol	Description	Example values
V_B	Operating volume [m ³ /h] Volume measured at gas meter at current pressure and temperature (gas throughput).	–
V_N	Standard volume [m ³ /h] Volume gained by gas at 1013 mbar and 0 °C.	–
f	Conversion factor	–
Q_N	Heat rating [kW]	500 kW
η	Boiler efficiency (e. g. 92 % \pm 0.92)	0.92
H_i	Calorific value [kWh/m ³] at 0 °C and 1013 mbar	10.35 kW/m ³ (Natural Gas E)
t_{Gas}	Gas temperature at gas meter [°C]	10 °C
P_{Gas}	Pressure at gas meter [mbar]	30 mbar
P_{Baro}	Barometric air pressure [mbar], see table	500 m \pm 955 mbar
V_G	Gas throughput determined at gas meter	1.85 m ³
T_M	Measuring time [seconds]	120 seconds

Calculate normal volume

- ▶ Calculate the normal volume (V_N) using the following formula.

$$V_N = \frac{Q_N}{\eta \cdot H_i} \quad V_N = \frac{500 \text{ kW}}{0.92 \cdot 10.35 \text{ kW/m}^3} = 52.5 \text{ m}^3/\text{h}$$

Calculate conversion factor

- ▶ Determine gas temperature (t_{Gas}) and pressure (P_{Gas}) at gas meter.
- ▶ Determine barometric air pressure (P_{Baro}) from table.

Height above sea level [m]	0	100	200	300	400	500	600	700	800	900	1000	1100	1200	1300
P_{Baro} [mbar]	1013	1001	990	978	966	955	943	932	921	910	899	888	877	866

- ▶ Calculate conversion factor (f) using the following formula.

$$f = \frac{P_{Baro} + P_{Gas}}{1013} \cdot \frac{273}{273 + t_{Gas}} \quad f = \frac{955 + 30}{1013} \cdot \frac{273}{273 + 10} = 0.938$$

Calculate operating volume (gas throughput) required

$$V_B = \frac{V_N}{f} \quad V_B = \frac{52.5 \text{ m}^3/\text{h}}{0.938} = 56.0 \text{ m}^3/\text{h}$$

Determine current operating volume (gas throughput)

- ▶ Measure gas throughput (V_G) at gas meter, measuring time (T_M) should be a minimum of 60 seconds.
- ▶ Calculate operating volume (V_B) using the following formula.

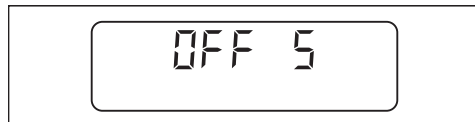
$$V_B = \frac{3600 \cdot V_G}{T_M} \quad V_B = \frac{3600 \cdot 1.85 \text{ m}^3}{120 \text{ s}} = 55.5 \text{ m}^3/\text{h}$$

7 Commissioning

7.8 Subsequent optimisation of operating points

If necessary, the combustion values can subsequently be corrected.

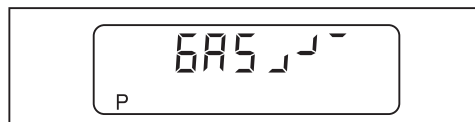
- ▶ Unplug bridging plug No. 7 on combustion manager.
- ✓ Combustion manager drives to Standby.



- ▶ Briefly press [-] and [+] simultaneously.
- ✓ Combustion manager changes to access level.



- ▶ Press [+].
- ✓ Combustion manager changes to setting level.



- ▶ Plug in bridging plug No. 7 on combustion manager.
- ✓ Burner starts and stops in operating point P0 (ignition position).
- ▶ Initiate the other operating points using the [+] or [-] key and optimise if required.

Exit setting level

- ▶ Press [G] and [L/A] simultaneously.
- ✓ The upper operating limit (bo) is displayed.
- ▶ Press [G] and [L/A] simultaneously.
- ✓ The lower operating limit is displayed (bu).
- ▶ Press [G] and [L/A] simultaneously.
- ✓ The combustion manager changes to operating level.

8 Shutdown

In the event of operational failure:

- ▶ Switch off burner.
- ▶ Close fuel shut off devices.

9 Servicing

9.1 Notes on servicing



DANGER

Risk of explosion due to leaking gas

Improper service work can lead to escaping gas and explosion.

- ▶ Close fuel shut-off devices and secure against being switched on again unexpectedly prior to commencing work.
- ▶ Care should be taken when dismantling and assembling gas carrying components.
- ▶ Close the screws on the test points ensuring the test points are sealed.



WARNING

Risk of electric shock

Working on the device when voltage is applied can lead to electric shock.

- ▶ Isolate the device from the power supply prior to starting any work.
- ▶ Safeguard against accidental restart.



WARNING

Risk of electric shock

Touching the ignition device can lead to electric shock.

- ▶ Do not touch ignition device during the ignition process.



WARNING

Electric shock caused by frequency convertor

It is possible that electrical components continue to carry voltage and cause electric shock even after the voltage supply has been disconnected.

- ▶ Wait approx. 5 minutes before commencing work.
- ✓ Electric voltage has dissipated.



CAUTION

Danger of getting burned on hot components

Hot components can lead to burns.

- ▶ Do not touch the components.
- ▶ Allow components to cool.



CAUTION

Risk of injury from sharp edges

Sharp edges on components can cause injury.

- ▶ Wear protective gloves.
- ▶ Watch out for sharp edges.



NOTICE

Damage to burner tube by hinging open the heat exchanger

The burner tube could be damaged, if the heat exchanger is hinged open with the burner tube mounted.

- ▶ Remove the burner tube [ch. 9.5].
- ▶ Hinge open the heat exchanger.



NOTICE

Damage caused by objects in the burner housing

It is possible for objects to fall into the burner housing.

If these objects are not removed, they could damage the burner.

- ▶ Following servicing, ensure that there are no objects left in the burner housing.

Servicing must only be carried out by qualified personnel. The combustion plant should be serviced annually. Depending on site conditions more frequent checks may be required.

Components, which show increased wear and tear or whose design lifespan is or will be exceeded prior to the next service should be replaced as a precaution.

The design lifespan of the components is listed in the service plan [ch. 9.2].



Weishaupt recommends a service contract be entered into to ensure that the necessary inspections and maintenance work are carried out.

The following components must only be replaced and must not be repaired:

- Combustion Manager
- Flame sensor
- Actuator
- multifunction assembly / double gas valve
- Pressure regulator
- Pressure switch

Prior to every servicing

- ▶ Inform the operator about the extent of service work to be carried out.
- ▶ Switch off mains switch of installation and safeguard against accidental reactivation.
- ▶ Close fuel shut-off devices and secure against being switched on again unexpectedly.
- ▶ Remove cover.
- ▶ Unplug boiler control connection plug from combustion manager.

Following servicing

- ▶ Check tightness of gas carrying components.
- ▶ Check function of:
 - Ignition
 - Flame monitoring
 - Gas carrying components (gas connection pressure and setting pressure)
 - Pressure switch
 - Control and safety devices
- ▶ Check combustion values, if necessary re-adjust the burner.
- ▶ Enter combustion values and settings in the commissioning record.
- ▶ Enter setting values on the sticker supplied.
- ▶ Adhere sticker to the burner.
- ▶ Refit cover.

9 Servicing

9.2 Service plan

Components	Criteria / design lifespan ⁽¹⁾	Service procedure
Ionisation and ignition electrode	Soiling	▶ Clean
	Damage / wear	▶ Replace [ch. 9.10] Recommendation: at least every 2 years
Ionisation and ignition cable	Damage	▶ Replace
Burner tube	Soiling	▶ Clean
	Damage	▶ Replace [ch. 9.5] Recommendation: after 250 000 burner starts or at least every 10 years
Insulator	Damage	▶ Replace [ch. 4.2]
Fan wheel	Soiling	▶ Clean
	Damage	▶ Replace [ch. 9.7]
Air duct	Soiling	▶ Clean
Air damper	Soiling	▶ Clean
Intake air filter / pre-filter	Soiling	▶ Clean [ch. 9.11]
	Damage / brittleness	▶ Replace [ch. 9.11]
Combustion Manager	250 000 burner starts or 10 years ⁽²⁾	▶ Replace [ch. 9.19]
Display and operating unit (ABE)	250 000 burner starts or 10 years ⁽²⁾	▶ Replace
Actuator STE	250 000 burner starts or 10 years ⁽²⁾	▶ Replace
Flame sensor	Soiling	▶ Clean
	Damage	▶ Replace
	250 000 burner starts or 10 years ⁽²⁾	
Breather plug multifunction assembly	Soiling	▶ Replace [ch. 9.16]
Filter insert multifunction assembly, gas filter	Soiling	▶ Replace [ch. 9.17] [ch. 9.18]
Double gas valve, multifunction assembly with valve testing system (valve proving)	Fault identified	▶ Replace
Burner flange	Soundness	▶ Check [ch. 7.3].
Gas pressure regulator	Setting pressure	▶ Check [ch. 7.1.5].
	Function / soundness	▶ Replace
	15 years	
Air pressure switch	Switch point	▶ Check [ch. 7.4].
	250 000 burner starts or 10 years ⁽²⁾	▶ Replace
Gas pressure switch	Switch point	▶ Check [ch. 7.4.1].
	50 000 burner starts or 10 years ⁽²⁾	▶ Replace

⁽¹⁾ The specified design lifespan applies for typical use in heating, hot-water and steam systems as well as for thermal process systems to EN ISO 13577-2.

⁽²⁾ If a criterion is reached, carry out maintenance measures.

9.3 Removing and refitting mixture distributor

Observe notes on servicing [ch. 9.1].



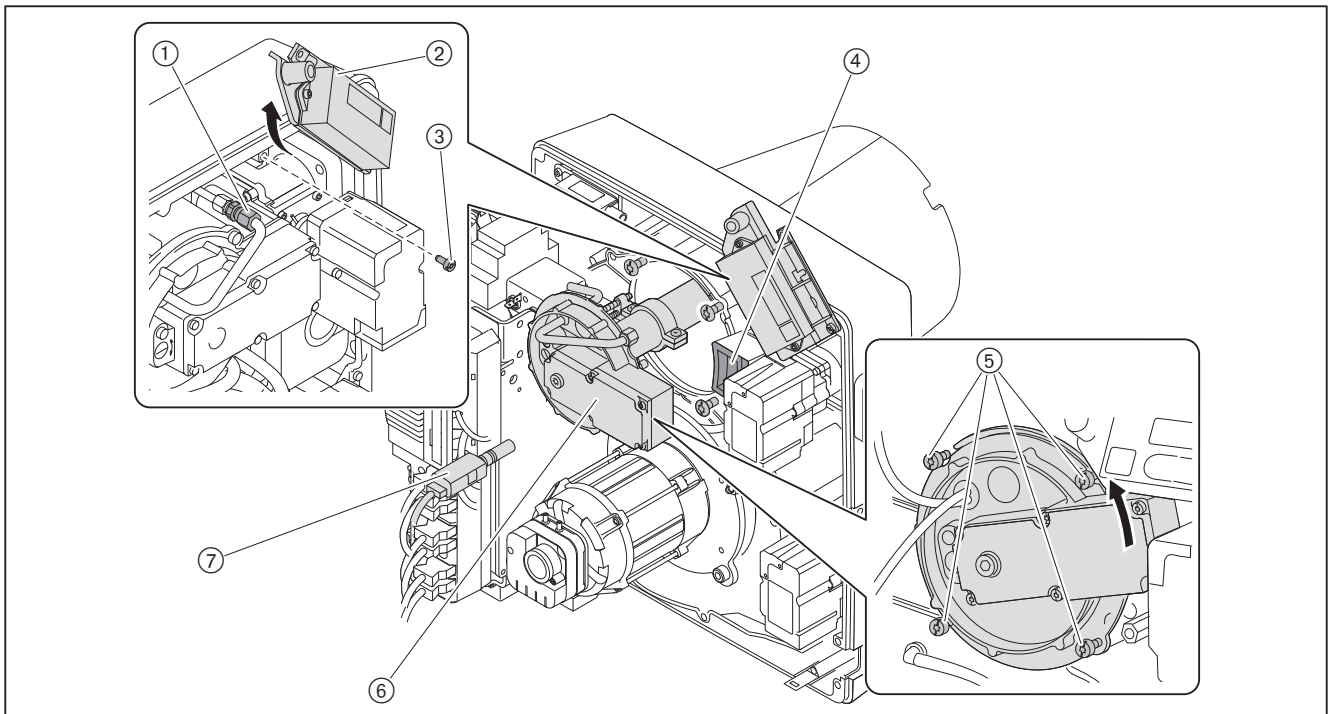
Risk of explosion due to leaking gas

It is possible for gas to leak out if the gasket ④ is seated incorrectly.

- ▶ Following work on the mixture distributor, ensure the gasket is clean and seated correctly, if necessary replace.
- ▶ Check for leaks, see Fourth test phase [ch. 7.1.3].

Removing

- ▶ Remove screw ③.
- ▶ Rotate control panel ② upwards.
- ▶ Disconnect cooling air line at screw connection ①.
- ▶ Unplug flame sensor ⑦.
- ▶ Undo screws ⑤.
- ▶ Turn mixture distributor ⑥ to the left up to the recess and remove.



Refitting

- ▶ Refit mixture distributor in reverse order ensuring correct alignment and cleanliness of gasket ④.

9 Servicing

9.4 Set mixture distributor

Observe notes on servicing [ch. 9.1].

The distance between mixture distributor and front edge of intermediate flange can not be measured with the burner mounted. This is only possible indirectly with the mixture distributor removed, with dimension L_x .

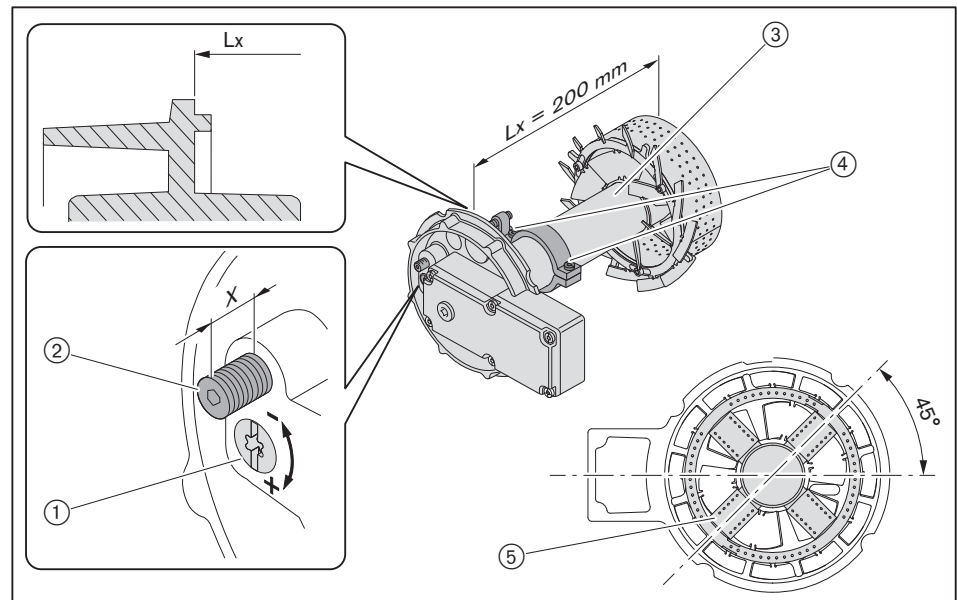
- ▶ Remove mixture distributor [ch. 9.3].
- ▶ Turn setting screw ① until the indicating bolt ② is flush with the nozzle assembly cover (dimension $X = 0$ mm).
- ▶ Check dimension L_x .

If the value measured deviates from dimension L_x :

- ▶ Undo screws ④.
- ▶ Adjust flame tube ③ until dimension L_x has been reached.
- ▶ Tighten screws ④.

If the screws ④ have been loosened:

- ▶ Check alignment of mixture distributor ⑤.



9.5 Removing and refitting burner tube

Observe notes on servicing [ch. 9.1].

Removing



Pay attention not to damage the burner tube mat when removing and refitting the burner tube.

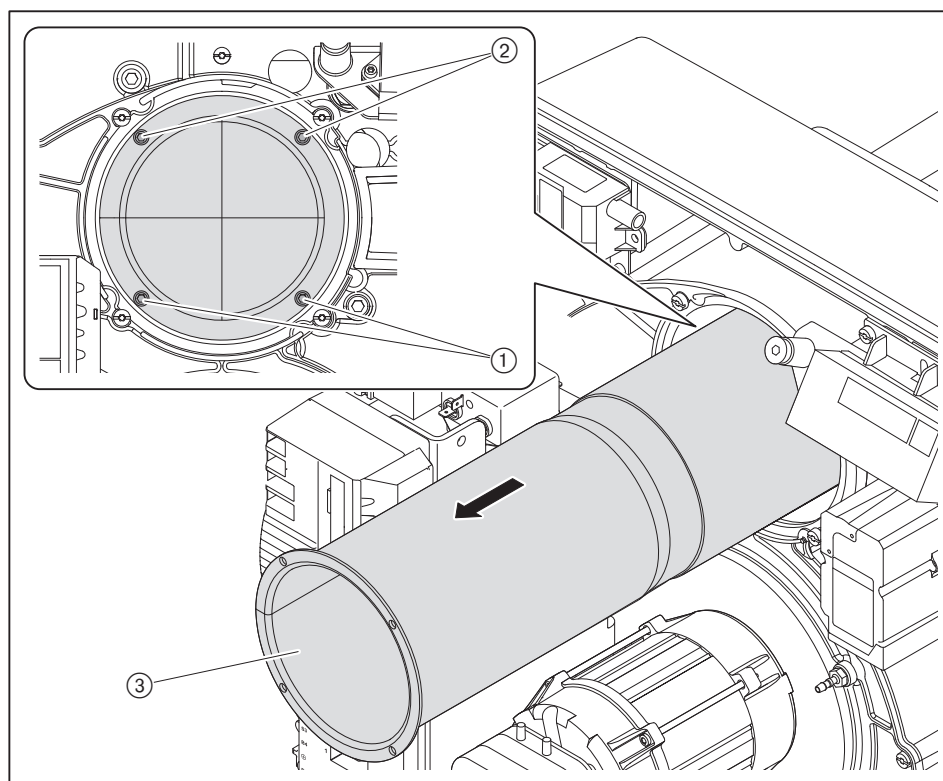


Personal protective equipment must be observed [ch. 2.4.1].

- ▶ Remove mixture distributor [ch. 9.3].

An SW4 Allen key with a length of 350 mm is recommended for burner tube fastening screws ① and ② (Order No. 669 529).

- ▶ Remove screws ②.
- ▶ Remove screws ①.
- ▶ Carefully pull out burner tube ③, ensuring that the burner tube mat is not damaged.



Cleaning the burner tube

- ▶ Check soiling of burner tube mat by holding a lamp into the burner tube.
- ▶ If soiled, clean the inside of the burner tube with a vacuum cleaner and a nylon brush
 - or -
 - carefully clean it with compressed air from the outside, taking care not to damage the burner tube.

Refitting

- ▶ Refit the burner tube [ch. 4.2].

9 Servicing

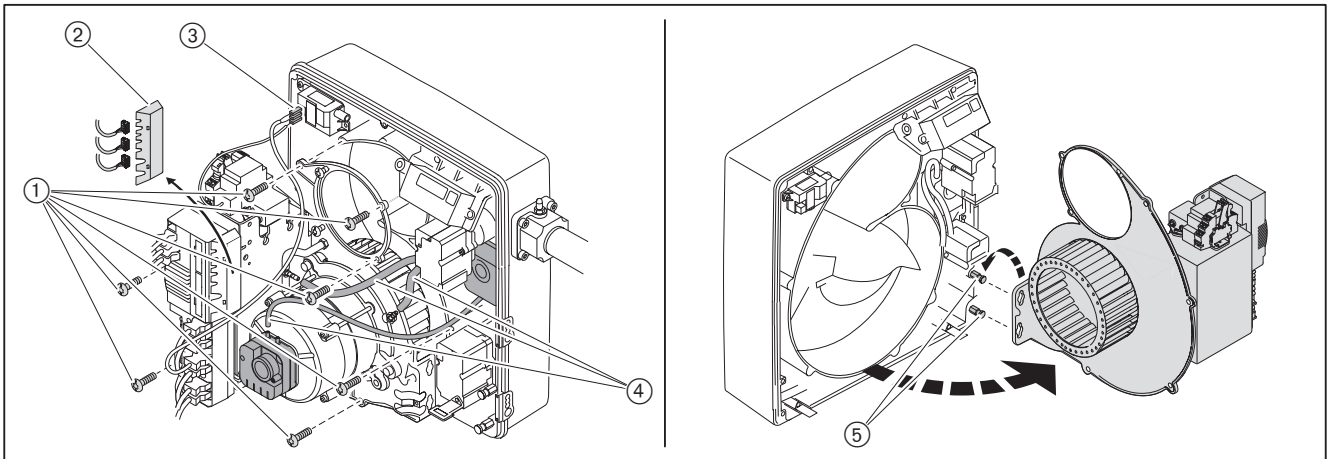
9.6 Service position

Observe notes on servicing [ch. 9.1].



The burner mounted rotated by 180° cannot be placed into the service position.

- ▶ Remove mixture distributor [ch. 9.3].
- ▶ Unplug plug ③ from ignition unit.
- ▶ Remove cover ② and remove plugs.
- ▶ Remove hoses ④.
- ▶ Hold housing cover and remove screws ①.
- ▶ Place housing cover onto hanging bolts ⑤.



9.7 Removing and refitting fan wheel

Observe notes on servicing [ch. 9.1].

Personal protective equipment must be observed [ch. 2.4.1].

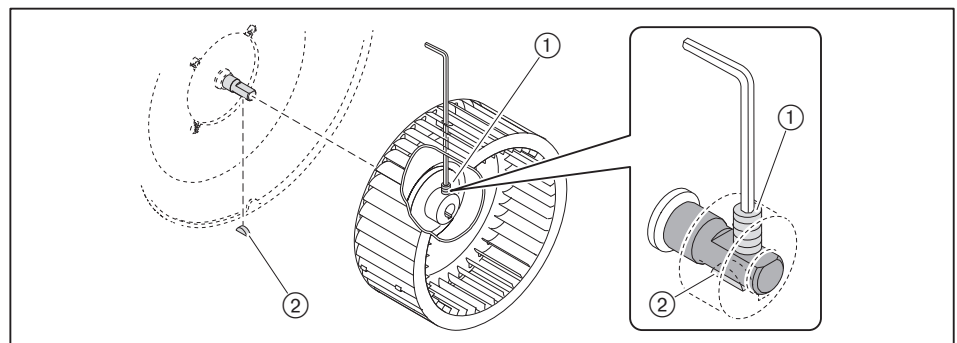


Removing

- ▶ Place housing cover into service position [ch. 9.6].
- ▶ Remove grub screw ① and remove fan wheel.

Refitting

- ▶ Refit fan wheel in reverse order and
 - ensure correct alignment of the spring washer ②
 - screw in new grub screw ①
 - turn fan wheel to ensure it moves freely



9 Servicing

9.8 Replace variable speed drive sensor

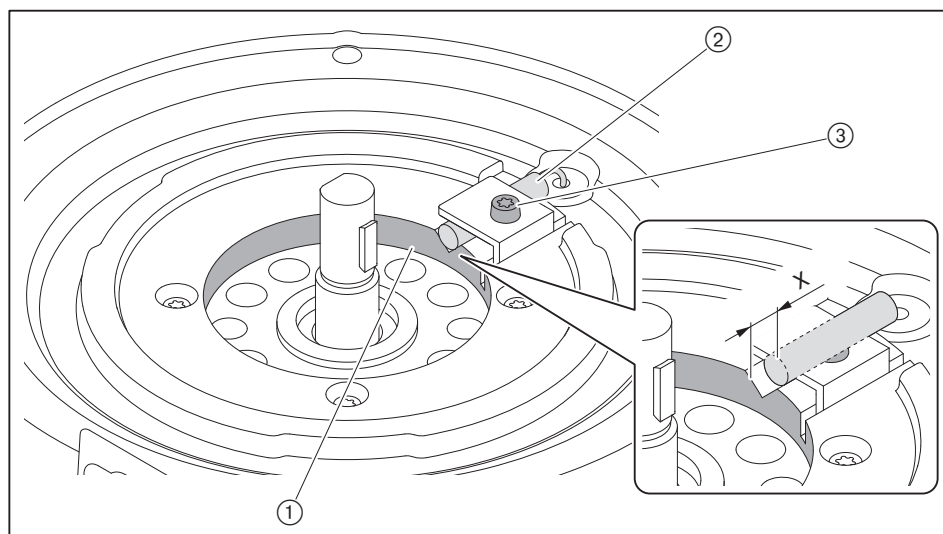
Observe notes on servicing [ch. 9.1].

Removing

- ▶ Remove fan wheel [ch. 9.7].
- ▶ Undo locknut ③.
- ▶ Remove variable speed drive sensor ②.

Refitting

- ▶ Refit new VSD sensor in reverse order, whilst ensuring the VSD sensor is flush with the motor flange ① (dimension X = 0 mm).
- ▶ Fit fan wheel.
- ✓ The fan wheel rotates freely and the VSD sensor detects the transmitter disc.



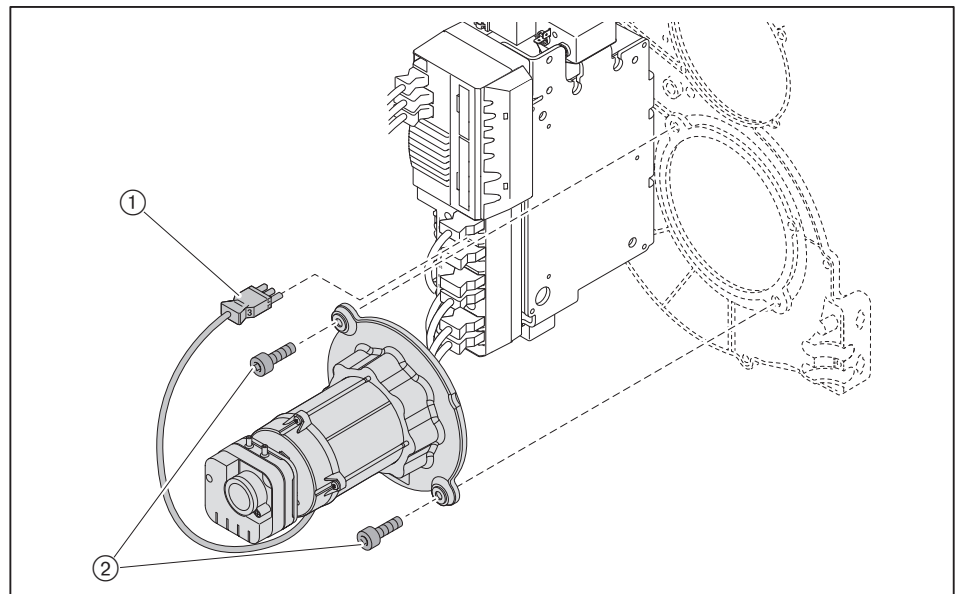
9.9 Remove burner motor

Observe notes on servicing [ch. 9.1].

- ▶ Remove air pressure switch for intake air filter.
- ▶ Remove fan wheel [ch. 9.7].
- ▶ Unplug plug ①.
- ▶ Hold motor and remove screws ②.
- ▶ Remove motor.



The variable speed drive sensor is fitted to the burner motor. If necessary remove variable speed drive sensor.



9 Servicing

9.10 Set ionisation and ignition electrodes

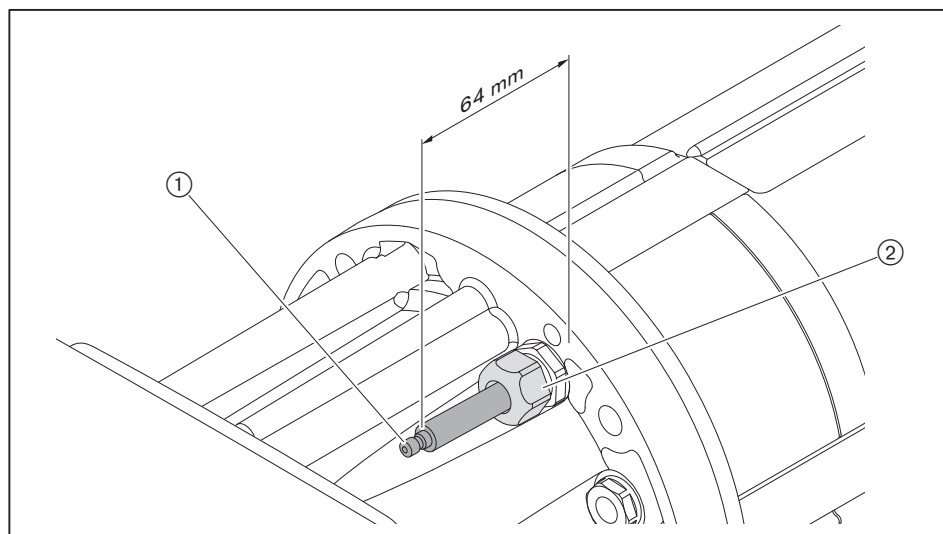
Observe notes on servicing [ch. 9.1].



Danger of getting burned on hot components

Hot components can lead to burns.

- ▶ Do not touch the components.
 - ▶ Allow components to cool.
-
- ▶ Remove intermediate flange cover.
 - ▶ Undo screwed union ② of electrode.
 - ▶ Set ionisation and ignition electrode ①.
 - ▶ Tighten screwed union.



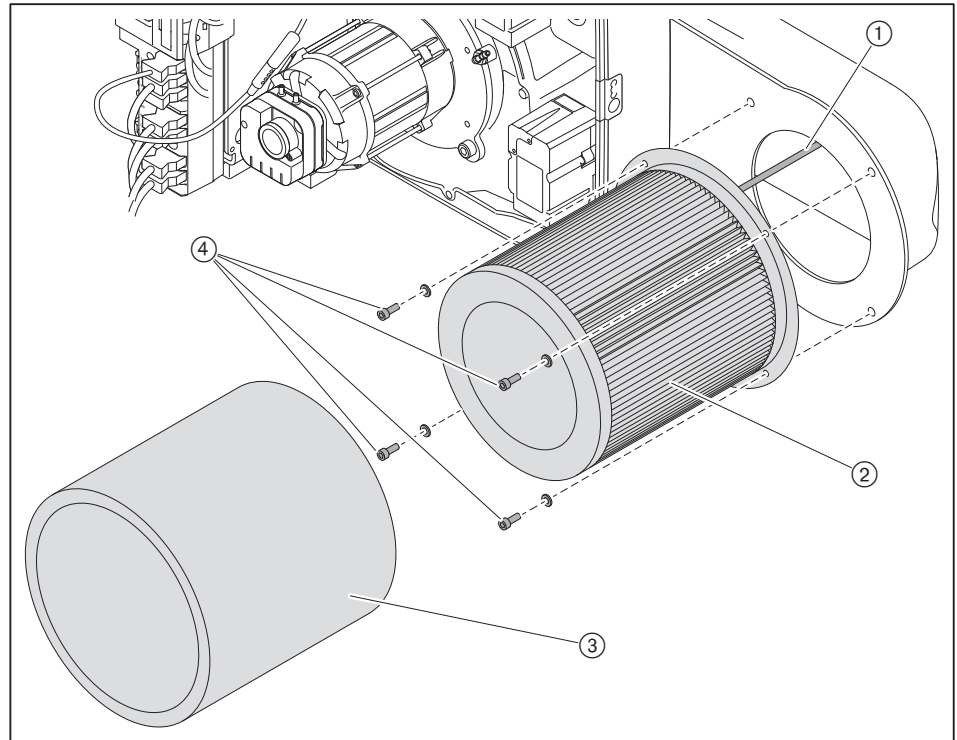
9.11 Removing intake air filter

Observe notes on servicing [ch. 9.1].

- ▶ Remove pre-filter ③
- ▶ Remove screws ④ for intake air filter.
- ▶ Remove intake air filter ②.

Clean filter

- ▶ Clean pre-filter ③, replace if heavily soiled.
- ▶ Blow through intake air filter ② from inside to the outside.
- ▶ Clean air pressure switch line ①.



9.12 Removing and refitting air damper actuator

Observe notes on servicing [ch. 9.1].

Removing

- ▶ Remove actuator plug ④ from combustion manager.
- ▶ Remove screws ⑤.
- ▶ Remove actuator with fixing plate ③ and shaft ②.

Refitting



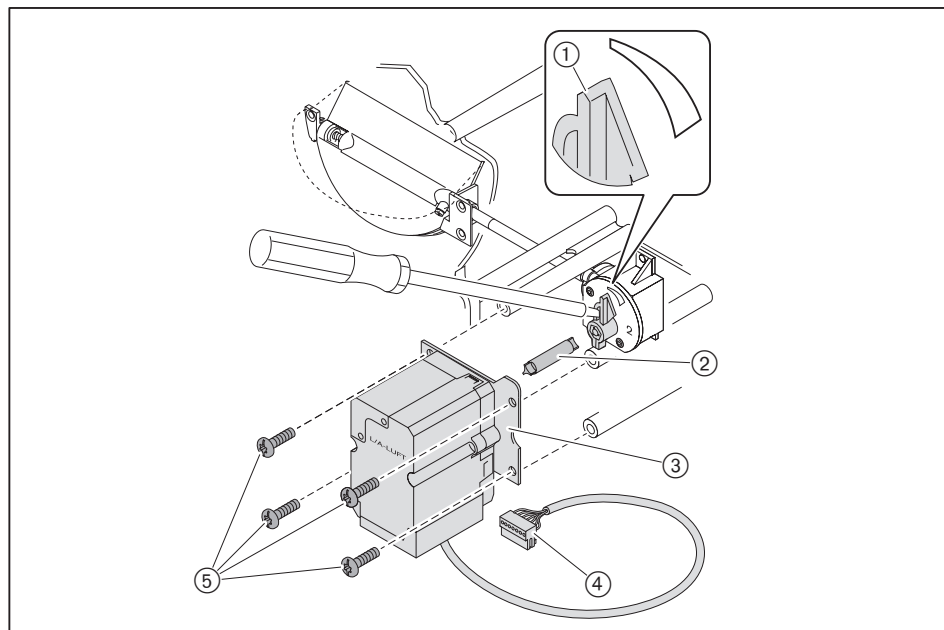
NOTICE

Damage to the actuator caused by turning the hub

Actuator could be damaged.

- ▶ Do not turn hub manually or with tool.

- ▶ Plug in actuator plug ④ at the combustion manager.
- ▶ Unplug bridging plug No. 7 on combustion manager.
- ▶ Switch on voltage supply.
- ✓ The combustion manager checks the actuator and drives to the reference point.
- ▶ Interrupt voltage supply.
- ▶ Fit shaft ② to actuator.
- ▶ Set indicator ① on angle drive to 0 (air damper Closed) and hold.
- ▶ Fit shaft with actuator to angle drive.
- ▶ Secure actuator.
- ▶ Plug in bridging plug No. 7 on combustion manager.



9.13 Removing and refitting angle drive

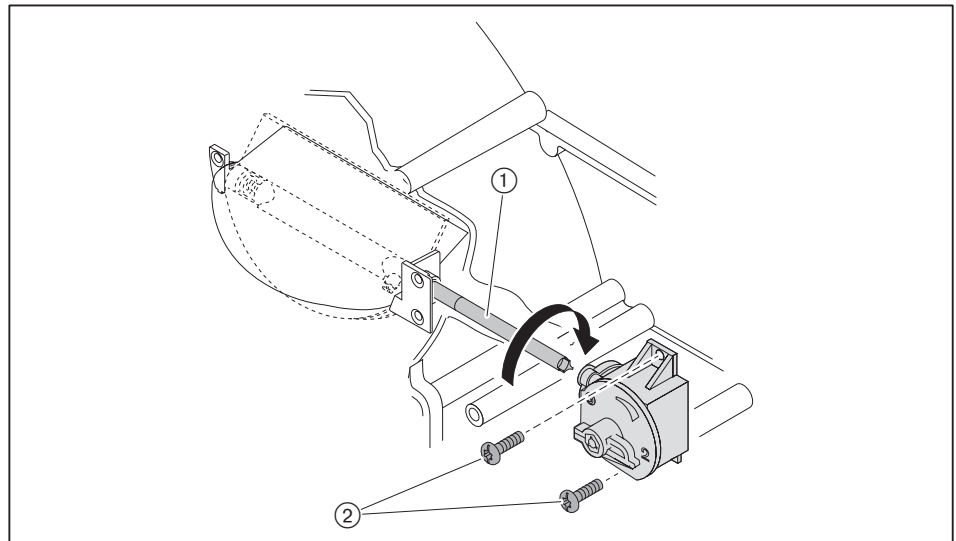
Observe notes on servicing [ch. 9.1].

Removing

- ▶ Remove air damper actuator [ch. 9.12].
- ▶ Remove screws ②.
- ▶ Remove angle drive.

Refitting

- ▶ Turn shaft ① to its stop (air damper Open) and hold.
- ▶ Fit angle drive to shaft.
- ▶ Secure angle drive.



9 Servicing

9.14 Removing and refitting gas butterfly valve actuator

Observe notes on servicing [ch. 9.1].

Removing

- ▶ Remove actuator plug ① from combustion manager.
- ▶ Remove screws ②.
- ▶ Remove actuator.

Refitting



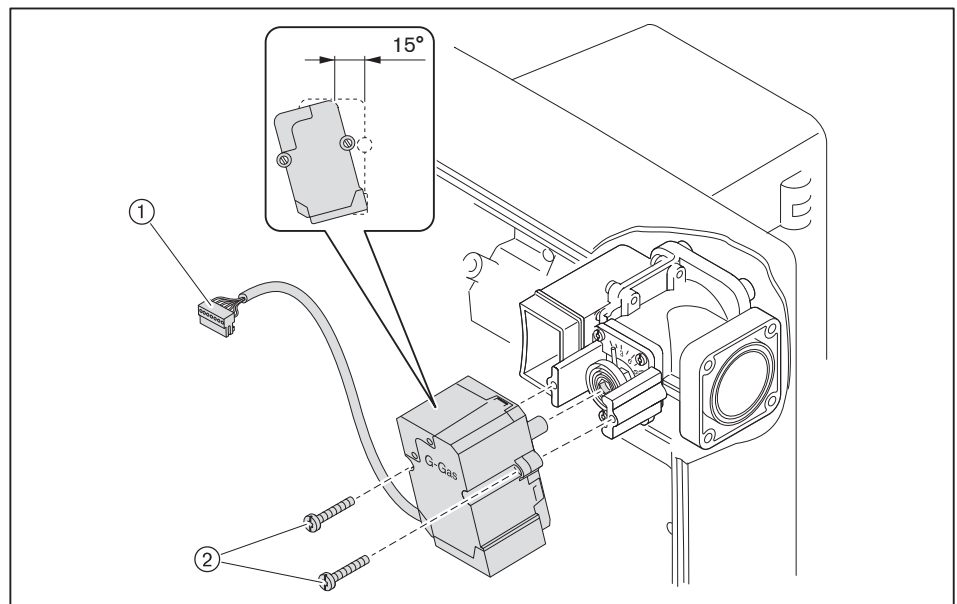
NOTICE

Damage to the actuator caused by turning the hub

Actuator could be damaged.

- ▶ Do not turn hub manually or with tool.

- ▶ Plug in actuator plug ① at the combustion manager.
- ▶ Unplug bridging plug No. 7 on combustion manager.
- ▶ Switch on voltage supply.
- ✓ The combustion manager checks the actuator and drives to the reference point.
- ▶ Interrupt voltage supply.
- ▶ Fit actuator rotated by approx. 15°.
- ▶ Secure actuator.
- ▶ Plug in bridging plug No. 7 on combustion manager.



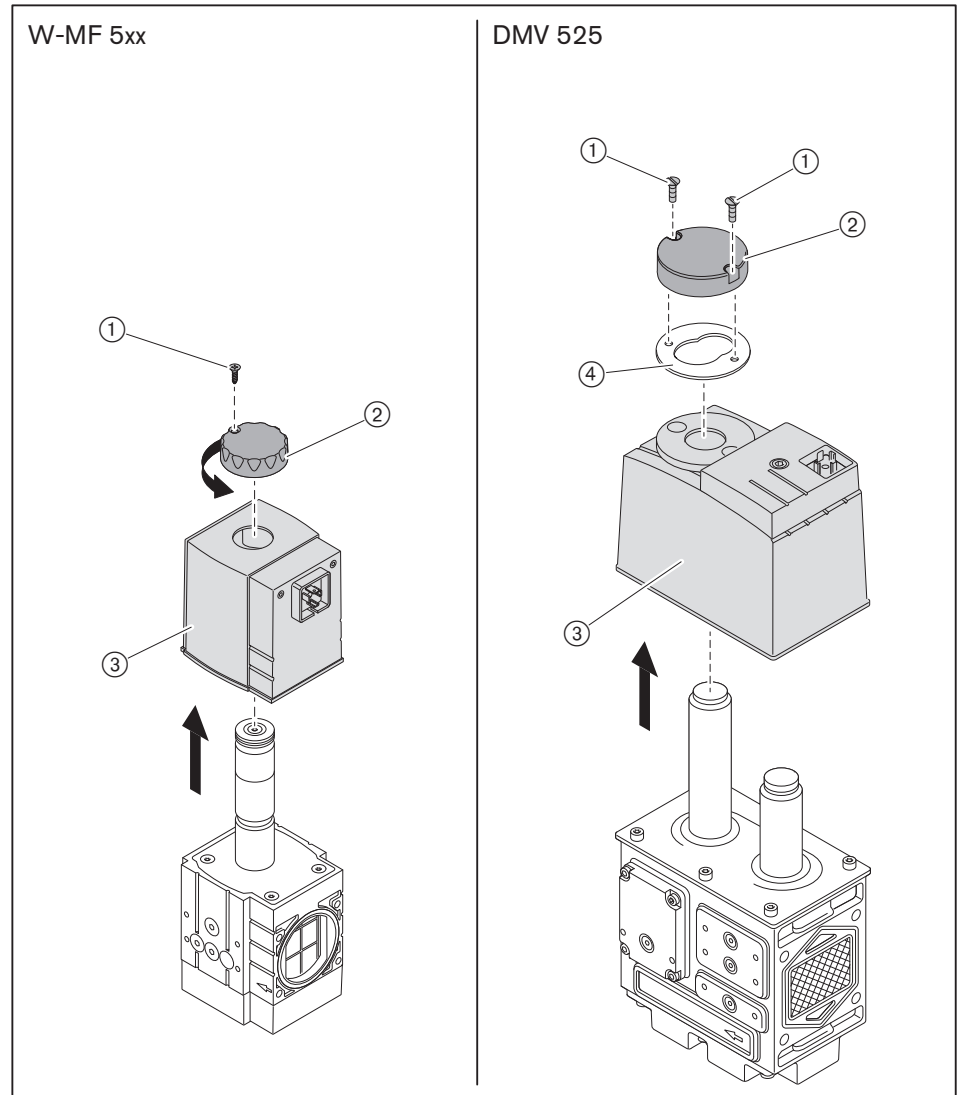
9.15 Replacing double gas valve coil

Observe notes on servicing [ch. 9.1].



Ensure correct voltage and solenoid number when replacing the solenoid coil.

- ▶ Undo screw(s) ①.
- ▶ Remove cap ②.
- ▶ With DMV also remove metal plate ④.
- ▶ Replace solenoid coil ③.



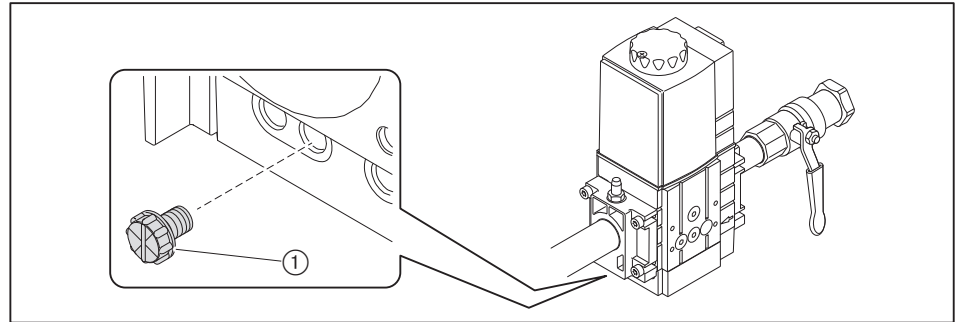
9 Servicing

9.16 Replace breather plug of multifunction assembly

Observe notes on servicing [ch. 9.1].

A breather plug with integrated filter is fitted to protect the breather orifice against soiling.

- Replace breather plug ①.



9.17 Removing and refitting filter insert of multifunction assembly

Observe notes on servicing [ch. 9.1].



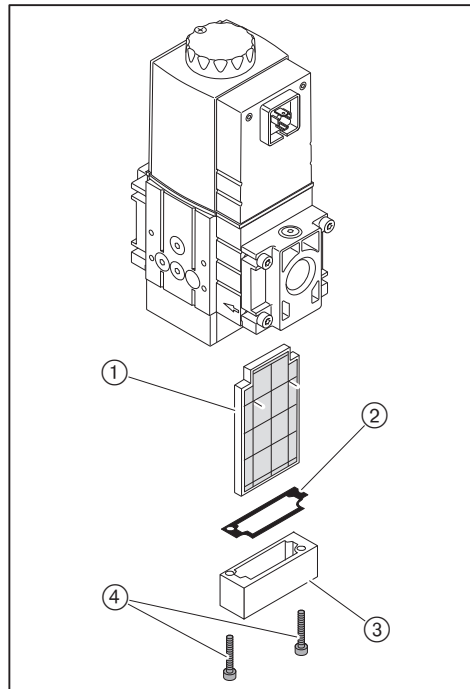
Ensure no dirt enters the multifunction assembly when removing and replacing the filter insert.

Removing

- ▶ Remove screws ④.
- ▶ Remove cover ③.
- ▶ Remove filter insert ①.
- ▶ If necessary replace filter insert ① and seal ②.

Refitting

- ▶ Refit in reverse order ensuring correct alignment of filter ① and seal ②.



- ▶ Carry out soundness test [ch. 7.1.3].
- ▶ Vent gas valve train [ch. 7.1.4].

9 Servicing

9.18 Removing and refitting filter insert in gas filter

Observe notes on servicing [ch. 9.1].



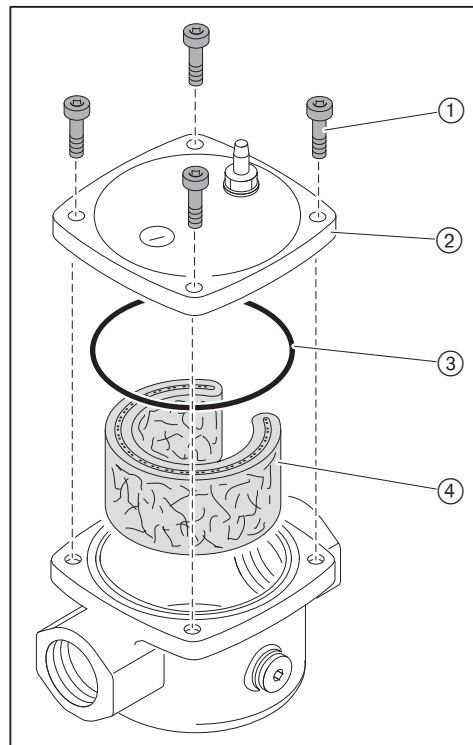
Ensure no dirt enters the multifunction assembly when removing and replacing the filter insert.

Removing

- ▶ Remove screws ①.
- ▶ Remove cover ②.
- ▶ Remove filter insert ④.
- ▶ If necessary replace filter insert ④ and O ring ③.

Refitting

- ▶ Refit in reverse order ensuring correct alignment of filter insert ④ and O ring ③.

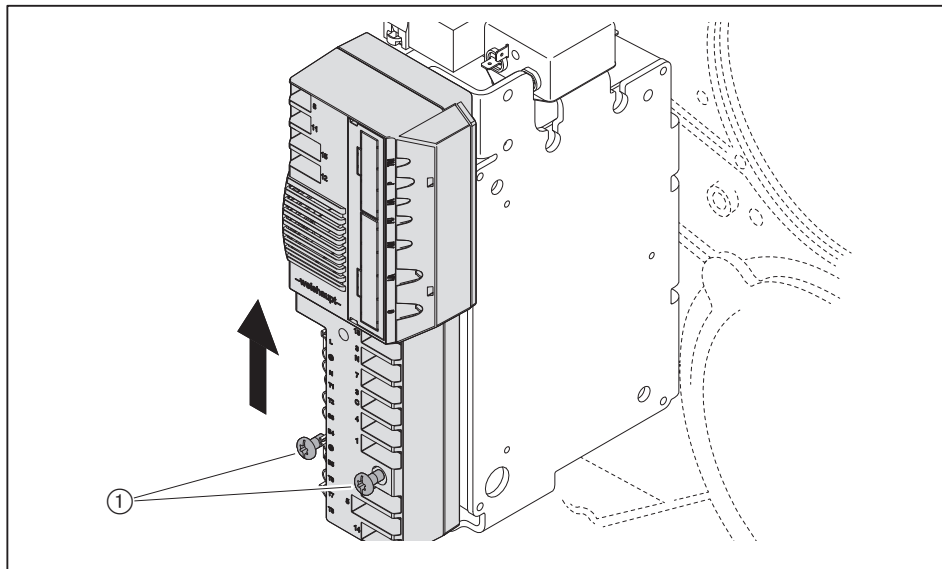


- ▶ Carry out soundness test [ch. 7.1.3].
- ▶ Vent gas valve train [ch. 7.1.4].

9.19 Replacing the combustion manager

Observe notes on servicing [ch. 9.1].

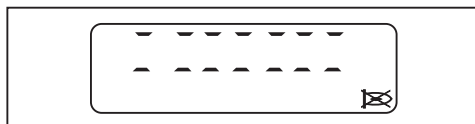
- ▶ Unplug all plugs.
- ▶ Undo screws ①.
- ▶ Push combustion manager upwards and replace.



- ▶ Connect all plugs again [ch. 5.2].

Preset combustion manager

- ▶ Unplug bridging plug No. 7 on combustion manager.
- ▶ Switch on voltage supply.
- ✓ The unprogrammed condition of the combustion manager is indicated by a flashing display.
The burner goes to lockout.



- ▶ Press [Enter].
- ✓ Burner has been reset.
- ✓ Combustion manager drives to Standby.

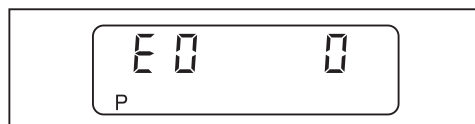


9 Servicing

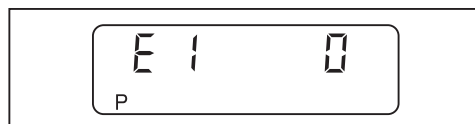
- ▶ Press [G] and [L/A] simultaneously.
- ✓ Combustion manager changes to access level.



- ▶ Press [+].
- ✓ Setting level (parameter E0) is displayed.



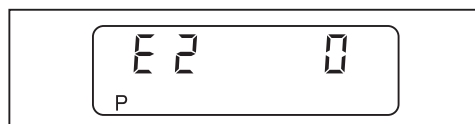
- ▶ Adopt value 0 (single fuel burner) and if necessary adjust using [Enter] and [-] key.
- ▶ Press [+].
- ✓ E1 is displayed.



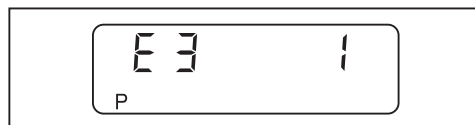
The value of parameter E1 can not be altered.

- 0: intermittent operation (Standard)
- 1: continuous operation

- ▶ Press [+].
- ✓ E2 is displayed.



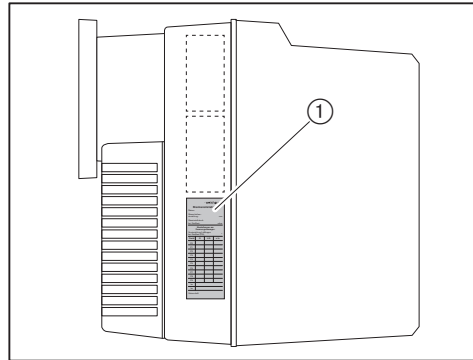
- ▶ Adopt value 0 (ionisation electrode) and if necessary adjust using [Enter] and [-] key.
- ▶ Press [+].
- ✓ E3 is displayed.



- ▶ Set value 3 (variable speed drive) using [ENTER] and [+].
- ▶ Press [+].
- ✓ Combustion manager changes into the setting level for step points.



- ▶ Determine the operating points from the sticker ①.
- ▶ Set the burner using these operating points and adjust [ch. 7.2].



Deactivate E-Parameters

Following commissioning, set parameter E to 0.

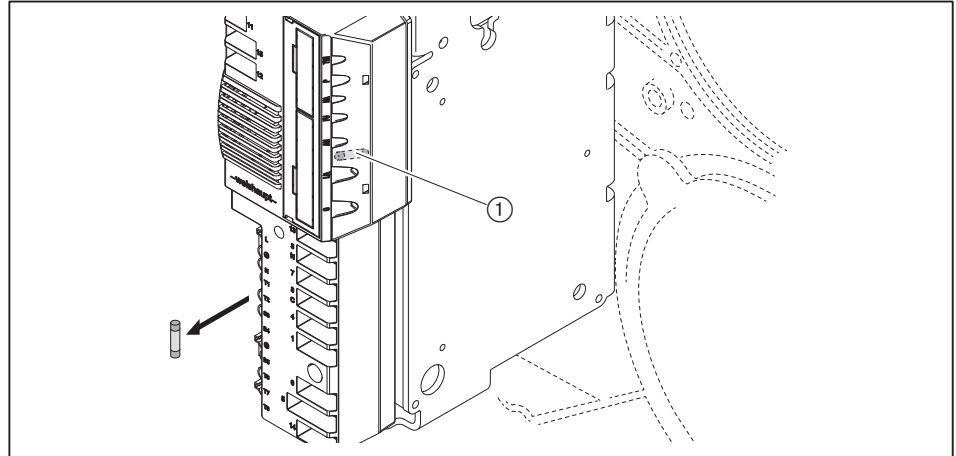
- ▶ Press [Enter] and [+] keys simultaneously for approx. 2 seconds.
- ✓ The parameter level is activated.
- ▶ Press [+].
- ▶ Press [Enter] key until parameter E is displayed.
- ▶ Set parameter E to 0 .
- ✓ E -Parameters are not shown in the setting level.
- ▶ Press [Enter] key twice.
- ✓ The combustion manager returns to the operating level.

9 Servicing

9.20 Replacing the fuse

Observe notes on servicing [ch. 9.1].

- ▶ Unplug connection plug from combustion manager.
- ▶ Replace fuse (T6.3H, IEC 127-2/5).



① Replacement fuse

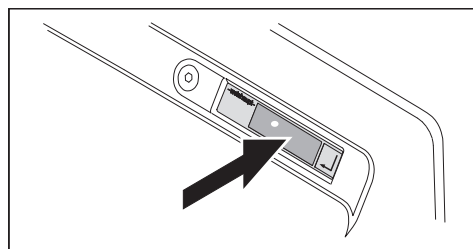
10 Troubleshooting

10.1 Procedures for fault conditions

The combustion manager recognises irregularities of the burner and displays these on the display.

The following conditions can occur:

- Display off [ch. 10.1.1]
- Display OFF [ch. 10.1.2]
- Display flashes [ch. 10.1.3]



10.1.1 Display off

The following faults may be corrected by the operator:

Fault	Cause	Rectification
Burner not operating	External fuse has tripped ⁽¹⁾	▶ Check fuse.
	Heating switch is set to Off	▶ Switch on heating switch.
	Temperature limiter or pressure limiter on heat exchanger has triggered ⁽¹⁾	▶ Reset temperature limiter or pressure limiter on heat exchanger.
	Low water safety interlock on heat exchanger has triggered ⁽¹⁾	▶ Top up water. ▶ Reset low water safety interlock on heat exchanger.

⁽¹⁾ Notify your heating contractor or Weishaupt Customer Service if the problem occurs repeatedly.

10.1.2 Display OFF



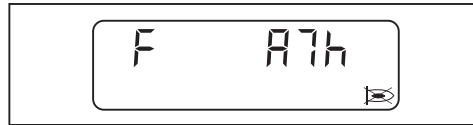
The following faults may be corrected by the operator:

Fault	Cause	Rectification
Burner not operating	Temperature regulator or pressure regulator on heat exchanger has been set incorrectly	▶ Adjust temperature regulator or pressure regulator on heat exchanger.
	Boiler or heating circuit control is not functioning or has not been set correctly	▶ Check function and setting of boiler or heating circuit control.

10 Troubleshooting

10.1.3 Display flashes

A burner fault has occurred. The burner is in lockout. The error code is displayed flashing.



- ▶ Read error code, e. g. A7h.
- ▶ Rectify cause of fault [ch. 10.2].

Reset



Danger resulting from incorrect fault repair

Incorrect fault repair can cause damage to the equipment and injure personnel.

- ▶ Do not carry out more than 2 lockout resets successively.
- ▶ Faults must be rectified by qualified personnel.

- ▶ Press [Enter].
- ✓ Burner has been reset.

Fault memory

The last 9 faults are saved in the fault memory [ch. 6.2.2].

10.1.4 Detailed fault codes

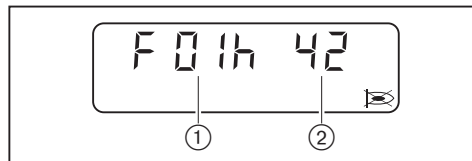
Additional information, which breaks down the error in more detail, can be displayed by pressing a button.

The first detailed fault code and the second detailed fault code are only relevant for the following faults:

- 03h
- 18h
- 41h
- 65h

1. detailed error codes / operating status

► Press [+] key.



- ① First detailed fault code
- ② Operating status

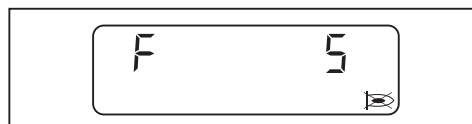
Second detailed fault code

► Press [-] and [+] keys simultaneously.



Repetition counter

► Press key [G].



10 Troubleshooting

10.2 Rectifying faults

Faults must only be rectified by qualified personnel:

Fault codes	Cause	Rectification
01h ... 02h 05h ... 0bh 0Eh ... 10h 13h ... 15h 17h 19h ... 1Ch 1Eh 43h 45h 50h 56h A0h ACh b0h ... b2h b9h	Internal unit fault	<ul style="list-style-type: none"> ▶ Interrupt the voltage supply temporarily ▶ Reset the burner, if fault reoccurs replace the combustion manager [ch. 9.19]

Faults must only be rectified by qualified personnel:

Fault codes	Cause	Rectification
03h	First detailed fault code: 09h Ambient temperature too high	<ul style="list-style-type: none"> ▶ Interrupt the voltage supply temporarily ▶ Check ambient temperature [ch. 3.4.3] ▶ Reset the burner, if fault reoccurs replace the combustion manager [ch. 9.19]
	Internal unit fault	<ul style="list-style-type: none"> ▶ Interrupt the voltage supply temporarily ▶ Reset the burner, if fault reoccurs replace the combustion manager [ch. 9.19]
04h	More than 5 resets in the last 15 minutes	<ul style="list-style-type: none"> ▶ Press and hold reset key for 5 seconds. ✓ Display flashes. ▶ Reset burner
0Ch	Burner configuration incorrect (no problem with the combustion manager)	<ul style="list-style-type: none"> ▶ Check burner configuration ▶ Check values in parameter level [ch. 6.2.3] ▶ Check parameters E0 ... E3 [ch. 6.2.4]
	Pre-purge phase less than 20 seconds (sum from parameters 60 and 61).	<ul style="list-style-type: none"> ▶ Increase pre-purge phase (only possible with VisionBox).
11h	Low voltage (no problem with the combustion manager)	<ul style="list-style-type: none"> ▶ Check voltage supply
12h	Voltage supply was temporarily interrupted	<ul style="list-style-type: none"> ▶ Check voltage supply
16h	Communication with TWI interface (VisionBox) incorrect	<ul style="list-style-type: none"> ▶ Plug in and unplug participants on the TWI Bus only when de-energised ▶ Reduce the number of participants on the TWI Bus ▶ Reduce cable length

Faults must only be rectified by qualified personnel:

Fault codes	Cause	Rectification
18h	Switch off via PC Software	–
	Second detailed fault code: A1h Invalid Bus address	▶ Check Bus address
	Second detailed fault code: A5h Configuration at output B4 incorrect	▶ Check configuration at output B4
	Second detailed fault code: A6h No keystrokes where made for 30 minutes in the setting mode	–
	Second detailed fault code: A7h Off function was activated	–
	Second detailed fault code: A8h No calibration values were stored in the EEPROM	–
	Second detailed fault code: A9h No Bus connection	▶ Check Bus connection
	Second detailed error code: AAh Communication to the expansion module failed	▶ Interrupt the voltage supply temporarily ▶ Check analogue module or Fieldbus module slot.
	Second detailed fault code: 01h ... 1Bh Internal unit fault	▶ Interrupt the voltage supply temporarily ▶ Reset the burner, if fault reoccurs replace the combustion manager [ch. 9.19]
	Second detailed fault code: E1h ... E7h Calibration values in EEPROM incorrect	–
	Second detailed fault code: EEh Communication to W-FM25 failed	–
	Second detailed fault code: EFh Extension module to W-FM25 not compatible	▶ Check version
1dh	EMC interference	▶ Optimise EMC measures.
40h	Speed standardisation outside of limits set	▶ Carry out speed standardisation
41h	First detailed fault code: 01h Speed differs for too long	▶ Check parameters 44 and 45
	First detailed fault code: 02h Speed difference is too great	▶ Check speed signal
	First detailed fault code: 03h Speed setting value outside of tolerance for too long	▶ Re-adjust burner ▶ Check parameters 44 and 45
42h	Speed signal (Namur) not plugged in	▶ Plug in speed signal
44h	Operating points were changed without approval	▶ Re-adjust burner
	Parameter E3 set incorrectly	▶ Check parameter E3 [ch. 6.2.4].
	Parameter 46 was changed and speed was not re-standardised	▶ Re-adjust burner
46h	Rotational direction of burner incorrect	▶ Check rotation direction of burner motor
47h	Type of air actuator invalid	▶ Check parameter 34 (only possible with VisionBox).
	Type of gas actuator invalid	▶ Check parameter 35 (only possible with VisionBox).

10 Troubleshooting

Faults must only be rectified by qualified personnel:

Fault codes	Cause	Rectification
48h	Plugs of actuators for gas and air mixed up	▶ Change over plugs
	Tolerance fault actuator	▶ Check freedom of movement of air damper and / or angle drive and gas butterfly valve ▶ Replace actuator
49h	Actuator does not drive to reference point correctly	▶ Check freedom of movement of air damper and / or angle drive and gas butterfly valve ▶ Replace actuator
53h	Insufficient gas, low gas pressure switch/ valve proving gas pressure switch	▶ Check gas connection pressure [ch. 7.1.5] ▶ Set gas pressure switch [ch. 7.4.1] ▶ Check gas pressure switch
63h	Speed learning curve incorrect	▶ Re-adjust burner
65h	First detailed fault code: 00h Tolerance fault air actuator, gas actuator or frequency convertor	▶ Check freedom of movement of air damper and / or angle drive ▶ Check freedom of movement of gas butterfly valve ▶ Replace actuator ▶ Check frequency convertor or fan, replace if necessary
	First detailed fault code: 01h Tolerance fault air actuator or gas actuator	▶ Check freedom of movement of air damper and / or angle drive ▶ Check freedom of movement of gas butterfly valve ▶ Replace actuator
	First detailed fault code: 02h Tolerance fault gas actuator or frequency convertor	▶ Check freedom of movement of gas butterfly valve ▶ Replace actuator ▶ Check frequency convertor or fan, replace if necessary
	First detailed fault code: 03h Tolerance fault gas actuator	▶ Check freedom of movement of gas butterfly valve ▶ Replace actuator
	First detailed fault code: 04h Tolerance fault air actuator or frequency convertor	▶ Check freedom of movement of air damper and / or angle drive ▶ Replace actuator ▶ Check frequency convertor or fan, replace if necessary
	First detailed fault code: 05h Tolerance fault air actuator	▶ Check freedom of movement of air damper and / or angle drive ▶ Replace actuator
	First detailed fault code: 06h Tolerance fault frequency convertor	▶ Check frequency convertor or fan, replace if necessary
	First detailed fault code: 07h Time run out during speed standardisation Time in setting mode run out Plugs of actuators for gas and air mixed up Return signal VSD sensor incorrect	▶ Press [+] key within 20 seconds during speed standardisation ▶ Press key within 30 minutes in setting mode ▶ Change over plugs ▶ Check VSD sensor and fan wheel, replace if necessary.
A2h	Safety circuit is open	▶ Check safety circuit
A4h	Reverse voltage valve 1	▶ Check wiring to double solenoid valve
A5h	Reverse voltage valve 2	▶ Check wiring to double solenoid valve

Faults must only be rectified by qualified personnel:

Fault codes	Cause	Rectification
A6h	Flame simulation/extraneous light	<ul style="list-style-type: none"> ▶ Find and eliminate extraneous light source ▶ Check ionisation electrode
A7h	No flame signal after safety time	<ul style="list-style-type: none"> ▶ Set ignition electrode [ch. 9.10] ▶ Check the ignition unit and replace if necessary ▶ Check solenoid valve coil and cable, replace if necessary ▶ Check the ionisation electrode and cable, replace if necessary. ▶ Check burner setting ▶ Check mixing pressure, reduce if necessary. Measure mixing pressure via the T-piece at the housing cover.
A8h	Flame failure during operation	<ul style="list-style-type: none"> ▶ Check burner setting ▶ Check the ionisation electrode, replace if necessary [ch. 9.10].
A9h	Flame failure during stabilisation time	▶ see A7h
AAh	Switch contact of air pressure switch not in Standby	<ul style="list-style-type: none"> ▶ Check air pressure influences ▶ Check air pressure switch setting ▶ Check air pressure switch and cable, replace if necessary ▶ Replace combustion manager [ch. 9.19]
Abh	Air pressure switch does not react	<ul style="list-style-type: none"> ▶ Check air pressure switch setting ▶ Check hoses on air pressure switch ▶ Check air pressure switch and cable, replace if necessary ▶ Check burner motor and cable, replace if necessary [ch. 9.9]
Adh	Insufficient gas low gas pressure switch	<ul style="list-style-type: none"> ▶ Check gas connection pressure [ch. 7.1.5] ▶ Set gas pressure switch [ch. 7.4.1] ▶ Check gas pressure switch
AEh	Valve 1 leaking during valve proving	<ul style="list-style-type: none"> ▶ Check soundness of gas valve train [ch. 7.1.3] ▶ Check setting and function of gas pressure switch [ch. 7.4.1] ▶ Replace double gas valve ▶ Check parameter E0 [ch. 6.2.4].
AFh	Valve 2 leaking during valve proving	<ul style="list-style-type: none"> ▶ Check soundness of gas valve train [ch. 7.1.3] ▶ Check setting and function of gas pressure switch [ch. 7.4.1] ▶ Replace double gas valve
b6h	Fault POC contact	<ul style="list-style-type: none"> ▶ Check POC contact ▶ Check double gas valve (valve 1)
bAh	Flame simulation/extraneous light at start-up	<ul style="list-style-type: none"> ▶ Find and eliminate extraneous light source ▶ Check ionisation electrode
bbh	Burner shutdown via contact X3:7 (plug No. 7)	–
CAh	Valve proving faulty	<ul style="list-style-type: none"> ▶ Check low gas pressure switch/valve proving gas pressure switch ▶ Check double gas valve
Cdh	No signal on input X3:15	▶ Check wiring
CEh	Bridging plug No. 15 is missing	▶ Plug in bridging plug
	High gas pressure switch does not react	<ul style="list-style-type: none"> ▶ Check gas connection pressure [ch. 7.1.5] ▶ Set gas pressure switch ▶ Check gas pressure switch
CFh	No start release (X3:14)	▶ Check start release

10 Troubleshooting

Faults must only be rectified by qualified personnel:

Fault codes	Cause	Rectification
d1h	Connection to actuator faulty	<ul style="list-style-type: none"> ▶ Rectify the fault using the following procedure: <ul style="list-style-type: none"> ▪ Interrupt voltage supply ▪ Plug in plug on combustion manager correctly ▪ Fit W-FM cover [ch. 3.3.4].
	Parameter E0 not configured correctly	<ul style="list-style-type: none"> ▶ Check configuration parameter E0 see [ch. 6.2.4]
d2h	More than 5 resets in the past 15 minutes by remote reset (X3:14)	<ul style="list-style-type: none"> ▶ Rectify cause of fault ▶ Reset via operating panel on burner. ▶ Press and hold reset key for 5 seconds. ✓ Display flashes. ▶ Reset burner
d4h	External voltage at operating signal X7:B5	<ul style="list-style-type: none"> ▶ Find and eliminate external voltage source
	Solenoid valve connection in an undefined condition	<ul style="list-style-type: none"> ▶ Check plug cable and contacts from W-FM to the solenoid valve.
	Internal unit fault	<ul style="list-style-type: none"> ▶ Interrupt the voltage supply temporarily ▶ Reset the burner, if fault reoccurs replace the combustion manager [ch. 9.19]

10.3 Operating problems

Faults must only be rectified by qualified personnel:

Observation	Cause	Rectification
Poor start behaviour of burner	Mixing pressure too high	<ul style="list-style-type: none"> ▶ Reduce mixing pressure in ignition position. Measure mixing pressure via the T-piece at the housing cover.
	Ignition electrode set incorrectly	<ul style="list-style-type: none"> ▶ Set ignition electrode [ch. 9.10]
Combustion pulsating and/or burner booming	Incorrect combustion air quantity	<ul style="list-style-type: none"> ▶ Adjust burner
Stability problems	Mixing pressure too high	<ul style="list-style-type: none"> ▶ Reduce mixing pressure. Measure mixing pressure via the T-piece at the housing cover.
No display at operating panel	Plug from operating panel not properly plugged in	<ul style="list-style-type: none"> ▶ Plug in plug on combustion manager correctly
	Operating panel defective	<ul style="list-style-type: none"> ▶ Replace operating panel

11 Technical documentation

11.1 Program sequence

The exact operating status of the combustion manager can also be displayed.
Activate operating status [ch. 6].

Operating phase	Operating status	Condition / function
F . .	00	Fault present
OFFUPr	01	Unprogrammed condition or programming not completed
OFF	02	Standby, no heat demand
1	03	Extraneous light check
2	04	Shutdown check air pressure switch
	05	Initialisation W-FM
	06	Waiting for start release / waiting time O ₂ trim
	07	Internal sequence
3	08	Driving air damper actuator to pre-purge and gas butterfly valve actuator to ignition position
	09	Waiting for speed standardisation confirmation
	10	Start burner motor
4	11	Waiting for air pressure
	12	Pre-purge
5	13	Internal sequence
	14	Driving air damper actuator to ignition position
6	15	Gas pressure check on low / valve proving gas pressure switch
	16	Ignition
7	17	First safety time - fuel release
	18	First safety time - flame detection
8	19	First stabilisation time
	20	Stop setting mode: P0 -A
	21	Second safety time
	22	Second stabilisation time
	23	End setting mode: P0 -B
9	24	Driving to partial load
10	25	Operation (load control is activated)
11	34	Valve proving - venting valve interspace
12	35	Valve proving - test time valve 1
	36	Internal sequence
13	37	Valve proving - filling valve interspace
14	38	Valve proving - test time valve 2
	39	Internal sequence
15	26	Internal sequence
	27	Driving to partial load
	28	Close fuel valves
	29	Internal sequence
	30	Start post burn time / post-purge
	31	Post-purge contact dependent (X3:14)
	32	Post burn time

11 Technical documentation

Operating phase	Operating status	Condition / function
16	33	Restart interlock
G L	40	Reference search actuator - air damper and gas butterfly valve
G	41	Test gas butterfly valve actuator 105°
G L	42	Drive to Standby position
	43	Internal sequence
OFFGd	44	Insufficient gas, low gas pressure switch (X3:14)
16	45	Low gas programme
OFF S	46	Safety circuit open (X3:7)

11.2 Conversion table unit of pressure

Bar	Pascal			
	Pa	hPa	kPa	MPa
0.1 mbar	10	0.1	0.01	0.00001
1 mbar	100	1	0.1	0.0001
10 mbar	1 000	10	1	0.001
100 mbar	10 000	100	10	0.01
1 bar	100 000	1 000	100	0.1
10 bar	1 000 000	10 000	1 000	1

11.3 Appliance categories

Labelling of forced-draught gas and dual fuel burners per EN 676

EN 676, "Forced draught burners for gaseous fuels", is used for the implementation of the basic requirements of the directive (EU) 2016/426.

EN 676 stipulate the following appliance categories for forced draught gas burners under Point 4.4.9:

I2R	for Natural Gas
I3R	for Liquid Petroleum Gas
II2R/3R	for Natural Gas / Liquid Petroleum Gas

The test gases listed under point 5.1.1, table 4 and the minimum test pressures determined and listed under point 5.1.2, table 5 are used to provide the evidence of service performance of the burner during type testing.

As -Weishaupt- gas and dual fuel burners fulfil this requirement completely, the appliance category, as well as the test gases used with the permissible connection pressure range, are listed on the name plate when labelling the burner to point 6.2 . This clearly defines the suitability of the burner for use with second and third family gases.

On the basis of a type test report to ISO 17025 from an accredited test centre, the EU Type Testing Certificate to Directive (EU) 2016/426 also quotes the appliance category, the supply pressure and the country of destination.

EN 437, "Test gases - test pressures - appliance categories", describes the interrelationships and the special national characteristics relating to this subject in detail.

The following tables give an overview of the interrelationships between the R Categories and the nationally used appliance categories with their test gases and connection pressures.

Alternative appliance category to I2R

Country of destination	Appliance category	Test gas	Connection pressure [mbar]
AT (Austria)	I _{2H}	G 20	20
BE (Belgium)	I _{2E+} , I _{2N} , I _{2E(S)} , I _{2E(R)}	G 20	Pressure range 20↔25
CH (Switzerland)	I _{2H}	G 20	20
CZ (Czech Republic)	I _{2H}	G 20	20
DE (Germany)	I _{2E} , I _{2N} , I _{2ELL}	G 20, G 25	20
DK (Denmark)	I _{2H} , I _{2N}	G 20	20
EE (Estonia)	I _{2H}	G 20	20
ES (Spain)	I _{2H} , I _{2N}	G 20	20
FI (Finland)	I _{2H}	G 20	20
FR (France)	I _{2E+} , I _{2L} , I _{2H} , I _{2N} , I _{2Esi} , I _{2Er}	G 20, G 25	Pressure range 20↔25
GB (United Kingdom)	I _{2H}	G 20	20
GR (Greece)	I _{2H} , I _{2N}	G 20	20
HR (Croatia)	I _{2H}	G 20	20
HU (Hungary)	I _{2H} , I _{2HS}	G 20, G 25.1	20
IE (Ireland)	I _{2H}	G 20	20
IT (Italy)	I _{2H} , I _{2HM}	G 20, G 230	20
LT (Lithuania)	I _{2H}	G 20	20
LV (Latvia)	I _{2H}	G 20	20
NL (Netherlands)	I _{2EK} , I _{2N}	G 25.3, G 20	20
NO (Norway)	I _{2H}	G 20	20
PL (Poland)	I _{2E} , I _{2N} , I _{2ELw} , I _{2ELs} , I _{2ELn} , I _{2ELwLs} , I _{2ELwLsLn}	G 20, G 27, G 2.300, G 2.350	20
PT (Portugal)	I _{2H} , I _{2N}	G 20	20
RO (Romania)	I _{2H} , I _{2L} , I _{2E}	G 20	20 / 25
SE (Sweden)	I _{2H}	G 20	20
SI (Slovenia)	I _{2H} , I _{2N}	G 20	20
SK (Slovakia)	I _{2H}	G 20	20
TR (Turkey)	I _{2H}	G 20	20

11 Technical documentation

Alternative appliance category to I3R

Country of destination	Appliance category	Test gas	Connection pressure [mbar]
AT (Austria)	I _{3B/P} , I _{3P}	G 30, G 31	30 / 50
BE (Belgium)	I ₃₊ , I _{3P} , I _{3B} , I _{3B/P}	G 30, G 31	Pressure range 28-30⇄37 50
CH (Switzerland)	I _{3B/P} , I ₃₊ , I _{3P}	G 30, G 31	Pressure range 28-30⇄37 50
CY (Cyprus)	I _{3B/P} , I ₃₊ , I _{3B}	G 30, G 31	Pressure range 28-30⇄37 Pressure range 50⇄67
CZ (Czech Republic)	I _{3B/P} , I ₃₊ , I _{3P}	G 30, G 31	Pressure range 28-30⇄37 50
DE (Germany)	I _{3B/P} , I _{3P}	G 30, G 31	30/50
DK (Denmark)	I _{3B/P}	G 30, G 31	30
EE (Estonia)	I _{3B/P}	G 30, G 31	30
ES (Spain)	I ₃₊ , I _{3P} , I _{3B}	G 30, G 31	Pressure range 28-30⇄37 50
FI (Finland)	I _{3B/P}	G 30, G 31	28-30
FR (France)	I ₃₊ , I _{3P} , I _{3B} , I _{3B/P}	G 30, G 31	Pressure range 28-30⇄37 50 Pressure range 112⇄148
GB (United Kingdom)	I ₃₊ , I _{3P} , I _{3B} , I _{3B/P}	G 30, G 31	Pressure range 28-30⇄37 50
GR (Greece)	I _{3B/P} , I ₃₊ , I _{3P} , I _{3B}	G 30, G 31	Pressure range 28-30⇄37 50
HR (Croatia)	I _{3B/P} , I _{3P}	G 30, G 31	30 / 37
HU (Hungary)	I _{3B/P} , I _{3P} , I _{3B}	G 30, G 31	30
IE (Ireland)	I ₃₊ , I _{3P} , I _{3B}	G 30, G 31	Pressure range 28-30⇄37
IT (Italy)	I _{3B/P} , I ₃₊ , I _{3P}	G 30, G 31	Pressure range 28-30⇄37
LT (Lithuania)	I _{3B/P} , I ₃₊ , I _{3P}	G 30, G 31	Pressure range 28-30⇄37
NL (Netherlands)	I _{3B/P} , I _{3P}	G 30, G 31	30 / 37 / 50
NO (Norway)	I _{3B/P}	G 30, G 31	30
PL (Poland)	I _{3B/P} , I _{3P} , I _{3P(B/P)}	G 30, G 31	30 / 37
PT (Portugal)	I ₃₊ , I _{3P} , I _{3B}	G 30, G 31	Pressure range 28-30⇄37 Pressure range 50⇄67
RO (Romania)	I _{3B/P} , I _{3P}	G 30, G 31	30
SE (Sweden)	I _{3B/P}	G 30, G 31	30
SI (Slovenia)	I _{3B/P} , I ₃₊ , I _{3P}	G 30, G 31	Pressure range 28-30⇄37
TR (Turkey)	I _{3B/P} , I ₃₊	G 30, G 31	Pressure range 28-30⇄37

Alternative appliance category to II2R/3R

Country of destination	Appliance category	Test gas	Connection pressure [mbar]	Test gas	Connection pressure [mbar]
AT (Austria)	II ₂ H3B/P, II ₂ H3P	G 20	20	G 30, G 31	30 / 50
BE (Belgium)	II ₂ E+3P, II ₂ E+3+, II ₂ E+3B, II ₂ E(S)3P, II ₂ E(R)3P	G 20	Pressure range 20≤25	G 30, G 31	Pressure range 28-30≤37 50
CH (Switzerland)	II ₂ H3B/P, II ₂ H3+, II ₂ H3P	G 20	20	G 30, G 31	Pressure range 28-30≤37 50
CY (Cyprus)	II ₂ H3B/P, II ₂ H3+	G 20	20	G 30, G 31	Pressure range 28-30≤37 Pressure range 50≤67
CZ (Czech Republic)	II ₂ H3B/P, II ₂ H3+, II ₂ H3P	G 20	20	G 30, G 31	Pressure range 50≤67
DE (Germany)	II ₂ E3B/P, II ₂ ELL3B/P, II ₂ ELL3P, II ₂ E3P	G 20, G 25	20	G 30, G 31	30 / 50
DK (Denmark)	II _{1a2} H, II ₂ H3B/P	G 20	20	G 30, G 31	30
EE (Estonia)	II ₂ H3B/P	G 20	20	G 30	30
ES (Spain)	II ₂ H3P, II ₂ H3+	G 20	20	G 30, G 31	Pressure range 28-30≤37 50
FI (Finland)	II ₂ H3B/P	G 20	20	G 30, G 31	28-30
FR (France)	II ₂ E+3+, II ₂ E+3P, II ₂ E+3B/P, II ₂ L3P, II ₂ H3P, II ₂ Esi3+, II ₂ Er3+, II ₂ Esi3P, II ₂ Er3P	G 20, G 25	Pressure range 20≤25	G 30, G 31	Pressure range 50≤67 Pressure range 112≤148
GB (United Kingdom)	II ₂ H3+, II ₂ H3P	G 20	20	G 30, G 31	Pressure range 28-30≤37 50
GR (Greece)	II ₂ H3B/P, II ₂ H3+, II ₂ H3P	G 20	20	G 30, G 31	Pressure range 28-30≤37 50
HR (Croatia)	II ₂ H3B/P, II ₂ H3P	G 20	20	G 30, G 31	30 / 37
IE (Ireland)	II ₂ H3+, II ₂ H3P	G 20	20	G 30, G 31	Pressure range 28-30≤37
IT (Italy)	II _{1a2} H, II ₂ H3B/P, II ₂ H3+, II ₂ H3P, II ₂ HM3+, II ₂ HM3B/P, II ₂ HM3P	G 20, G 230	20	G 30, G 31	Pressure range 28-30≤37
LT (Lithuania)	II ₂ H3B/P, II ₂ H3+, II ₂ H3P	G 20	20	G 30, G 31	Pressure range 28-30≤37
NL (The Netherlands)	II ₂ EK3B/P	G 25	20	G 31	30 / 37 / 50
NO (Norway)	II ₂ H3B/P	G 20	20	G 30, G 31	30
PL (Poland)	II ₂ E3B/P, II ₂ E3P, II ₂ E3P(B/P), II ₂ ELs3B/P, II ₂ ELs3P, II ₂ HM3B/P, II ₂ ELwLs3P, II ₂ ELwLs3P(B/P), II ₂ ELwLsLn3P(B/P)	G 20, G 27, G 2.300, G 2.350	20	G 30, G 31	30 / 37
PT (Portugal)	II ₂ H3+, II ₂ H3P	G 20	20	G 30, G 31	Pressure range 28-30≤37 Pressure range 50≤67

11 Technical documentation

Country of destination	Appliance category	Test gas	Connection pressure [mbar]	Test gas	Connection pressure [mbar]
RO (Romania)	II _{2H3B/P} , II _{2H3P} , II _{2L3P} , II _{2E3B/P} , II _{2L3B/P}	G 20	20 / 25	G 30, G 31	30
SE (Sweden)	II _{1a2H} , II _{2H3B/P}	G 20	20	G 30, G 31	30
SI (Slovenia)	II _{2H3B/P} , II _{2H3+} , II _{2H3P}	G 20	20	G 30, G 31	Pressure range 28-30↔37
SK (Slovakia)	II _{2H3B/P} , II _{2H3+} , II _{2H3P}	G 20	20	G 30, G 31	Pressure range 28-30↔37 50
TR (Turkey)	II _{2H3B/P} , II _{2H3+}	G 20	20	G 30, G 31	Pressure range 30↔37

12 Project planning

12.1 Continuous running fan or post-purge



Fire hazard due to failure of the combustion air fan

Failure of the combustion air fan (e.g. due to a power failure or defective motor) during operation with continuous running fan or increased post-purge may result in back radiation or hot flue gases flowing back into the burner housing. This could cause a fire.

If fail-safe continuous ventilation or post-purge is required, take appropriate measures, such as:

- ▶ installing compressed air flushing on site with:
 - sufficiently large compressed air tank
 - normally open compressed air valve

12.2 Additional requirements

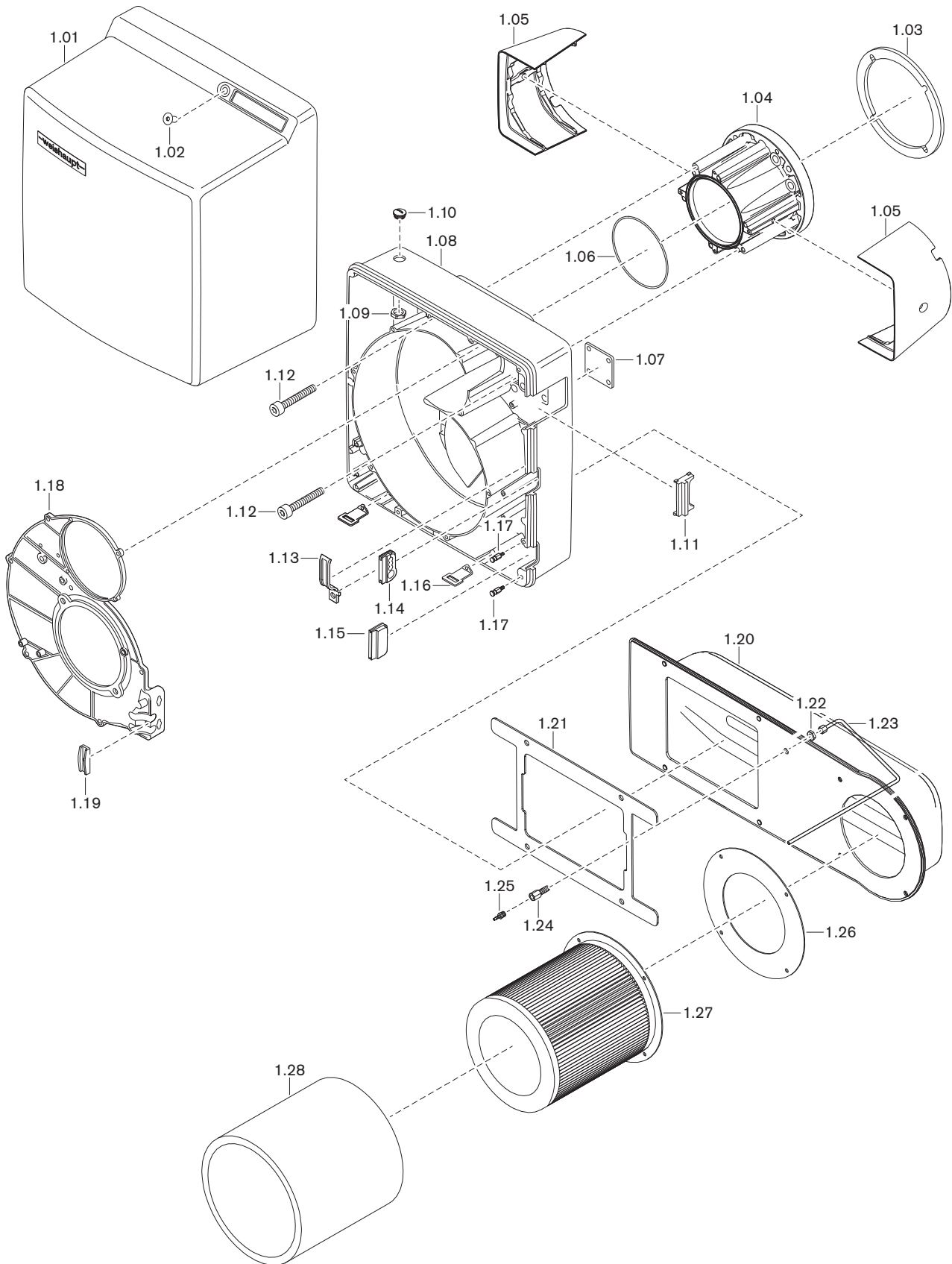
Additional requirements for burner for liquid and gaseous fuels in accordance with EN 676:

- the pressure equipment operates in accordance with the Pressure Equipment Directive 2014/68/EU
- as a component of an industrial thermo-processing system to EN ISO 13577-2
- on steam and hot-water water-tube boilers to EN 12952-8

2014/68/EU	EN ISO 13577-2	EN 12952-8	Components	Requirement
X			Burner control, combustion manager	Designed for continuous operation greater than 1200 kW
		X	Flame monitor, flame sensor	self-checking
X			Control device air/fuel ratio	EN 12067-2
X	X	X	Air monitoring device	Min. air pressure switch to EN 1854
X	X	X	Monitoring device minimum fuel pressure	Low gas pressure switch to EN 1854
X	X	X	Monitoring device maximum fuel pressure	High gas pressure switch to EN 1854
X	X	X	Valve monitoring system, valve proving gas pressure switch	EN 1643
X	X	X	Gas pressure regulator	EN 88, EN 334
X	X	X	Automatic safety shut off valves (PED: for aggressive media)	2 x Group A, EN 161
	X		Manual shut off device for all fuels	Ball valve
	X		Safety devices for save operation	Connected to the input of the combustion manager in the closed circuit current principle
		X	Electrical equipment	EN 50156

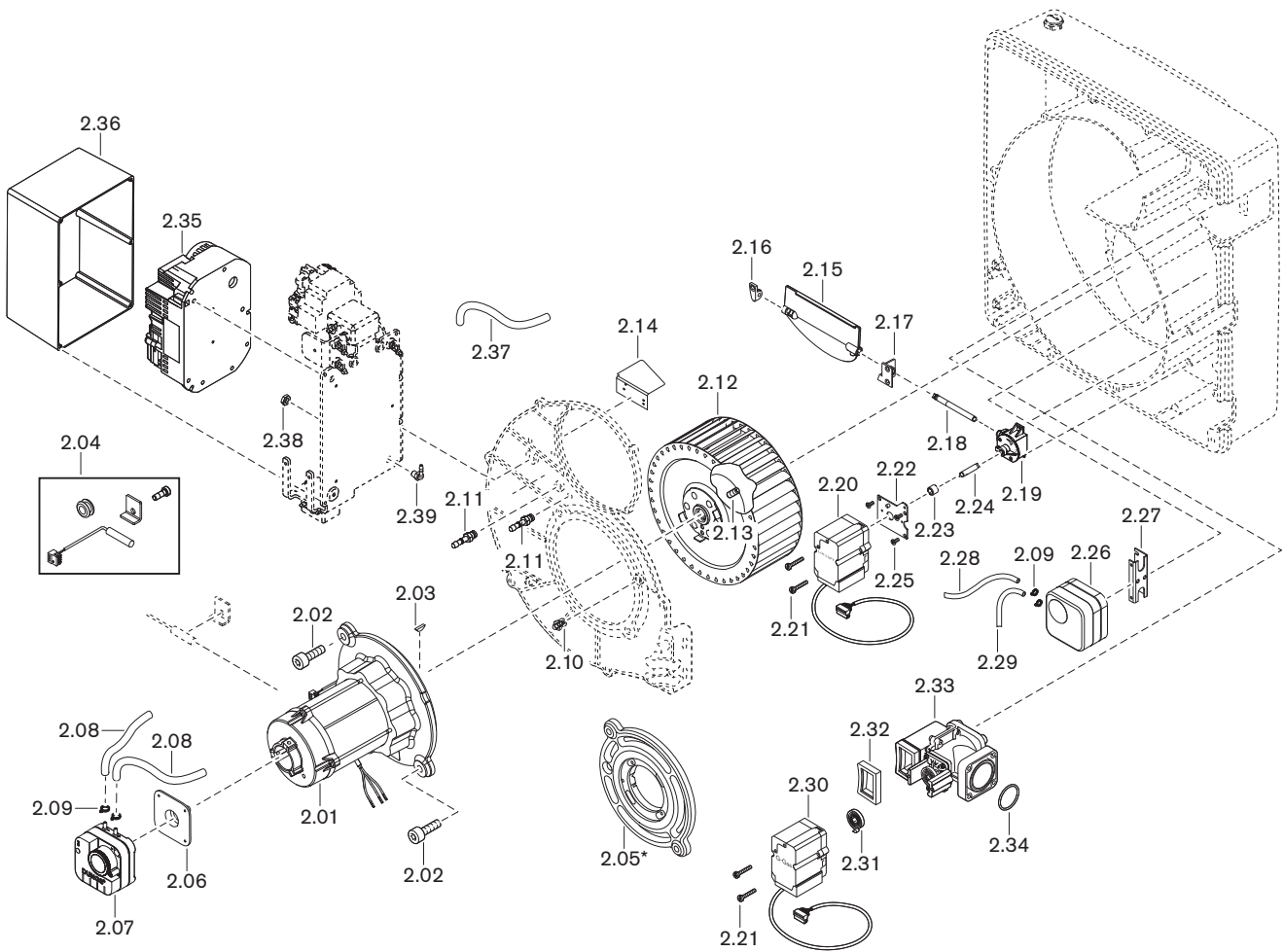
13 Spares

13 Spares



Pos.	Description	Order No.
1.01	Cover	241 400 01 112
1.02	Screw M8 x 16 ISO 10642	404 412
1.03	Flange gasket 8 mm Asfilplan	232 400 01 117
1.04	Intermediate flange	232 400 01 097
1.05	Intermediate flange cover.	232 400 01 357
1.06	O ring 142 x 3.0 NBR70 DIN-EN549	445 191
1.07	Fixing plate for gas butterfly valve	232 400 01 057
1.08	Burner housing complete	232 400 01 032
1.09	Hexagonal nut M20 x 1.5	730 752
1.10	Cover screw M20 x 1.5	730 702
1.11	Cover burner housing	232 400 01 067
1.12	Screw M8 x 40 TAPTITE II DIN 7500	409 391
1.13	Clamp	241 400 01 357
1.14	Grommet for connection cable	241 200 01 247
1.15	Grommet	241 400 01 177
1.16	Mounting bracket for cover	241 400 01 207
1.17	Hanging bolt	241 400 01 327
1.18	Housing cover	232 400 01 087
1.19	Bracket for cable	241 400 01 367
1.20	Intake housing	232 400 01 012
1.21	Intake housing gasket	232 400 01 177
1.22	Hexagonal nut BM10 x 1 DIN 439 -04	411 504
1.23	Impulse line 6 x 1	232 400 01 268
1.24	Threaded socket M10 x 1 x G $\frac{1}{8}$ x 43	210 104 24 107
1.25	Threaded socket R1/8	453 004
1.26	Air filter seal	232 400 01 247
1.27	Air filter	232 400 01 227
1.28	Air pre-filter	232 400 01 237

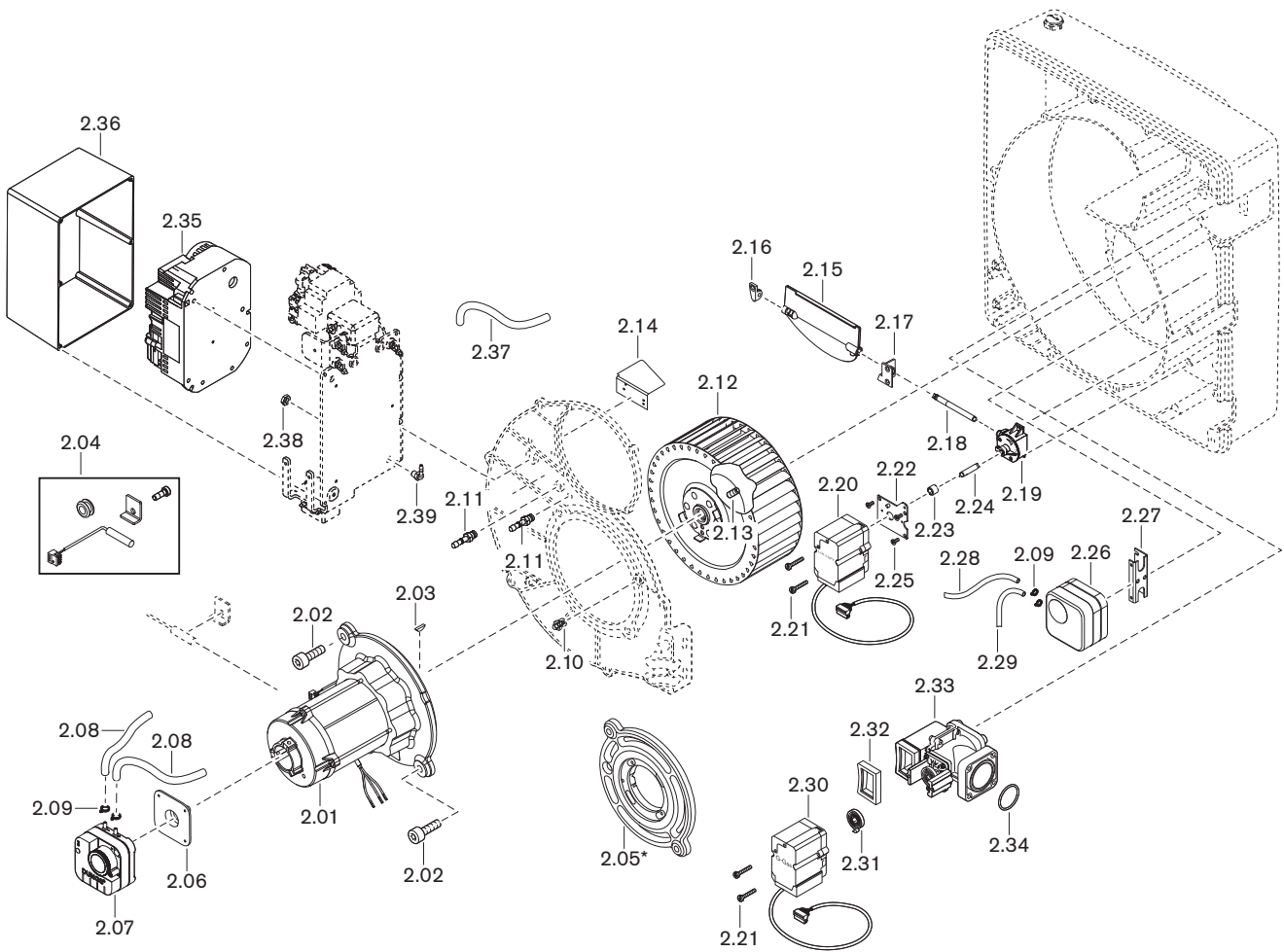
13 Spares



Pos.	Description	Order No.
2.01	Motor	232 400 07 050
	– Motor W-PM06/S-4	652 165
	– Motor W-PM06/A-4	652 320
2.02	Screw ISO 4762 M8 x 16- 8.8	402 509
2.03	Shaft key 4 x 5 DIN 6888	490 154
2.04	VSD sensor set	230 401 00 150
	– VSD sensor	230 310 12 782
	– Clamping piece VSD sensor	218 104 14 247
	– Screw M5 x 14 DIN 7984	402 234
	– Grommet 11 x 4.0 x 4.7 for VSD sensor	756 170
2.05	Intermediate motor flange*	232 400 01 167
2.06	Connection flange for LGW	605 243
2.07	Pressure switch LGW 3 A1 0.4 - 3.0 mbar	691 446
2.08	Hose 4.0 x 1.75 500 mm	232 110 24 047
2.09	Hose clamp 7.5	790 218
2.10	Threaded socket R $\frac{1}{8}$ WES4	453 003
2.11	Treaded socket R $\frac{1}{8}$ GES4	453 004
2.12	Fan wheel WG40/Dr. TLR-S 190 x 81.8-L S1	230 400 08 012
2.13	Grub screw M8x8 w. ann. cut. edge (Tuflok)	420 550
2.14	Air guide	232 400 01 047
2.15	Air damper complete	232 400 02 032
2.16	Bearing left	241 400 02 037
2.17	Bearing right with bearing bush	241 210 02 032
2.18	Shaft air damper - angle drive	241 400 02 147
2.19	Angle drive	241 110 02 062
2.20	Air actuator STE 4.5 24 V	651 103
2.21	Screw M4 x 30 Torx-Plus metric	409 245
2.22	Fixing plate	241 400 02 222
2.23	Guide sleeve	241 400 02 207
2.24	Shaft angle drive - actuator	241 400 02 157
2.25	Screw M4 x 10 Torx-Plus 20IP	409 236
2.26	Pressure switch LGW 10 A2 1 - 10 mbar	691 370
2.27	Pressure switch bracket	230 200 24 017
2.28	Hose 4.0 x 1.75 250 mm	232 110 24 037
2.29	Hose 4.0 x 1.75 140 mm	232 050 24 047
2.30	Gas actuator STE 4.5 24 V	651 101
2.31	Torsion spring 2 heavy duty version	241 400 02 167
2.32	Seal for connection channel	232 400 25 087
2.33	Gas butterfly valve	232 400 25 030
2.34	O ring 45 x 3 NBR70 ISO 3601	445 518

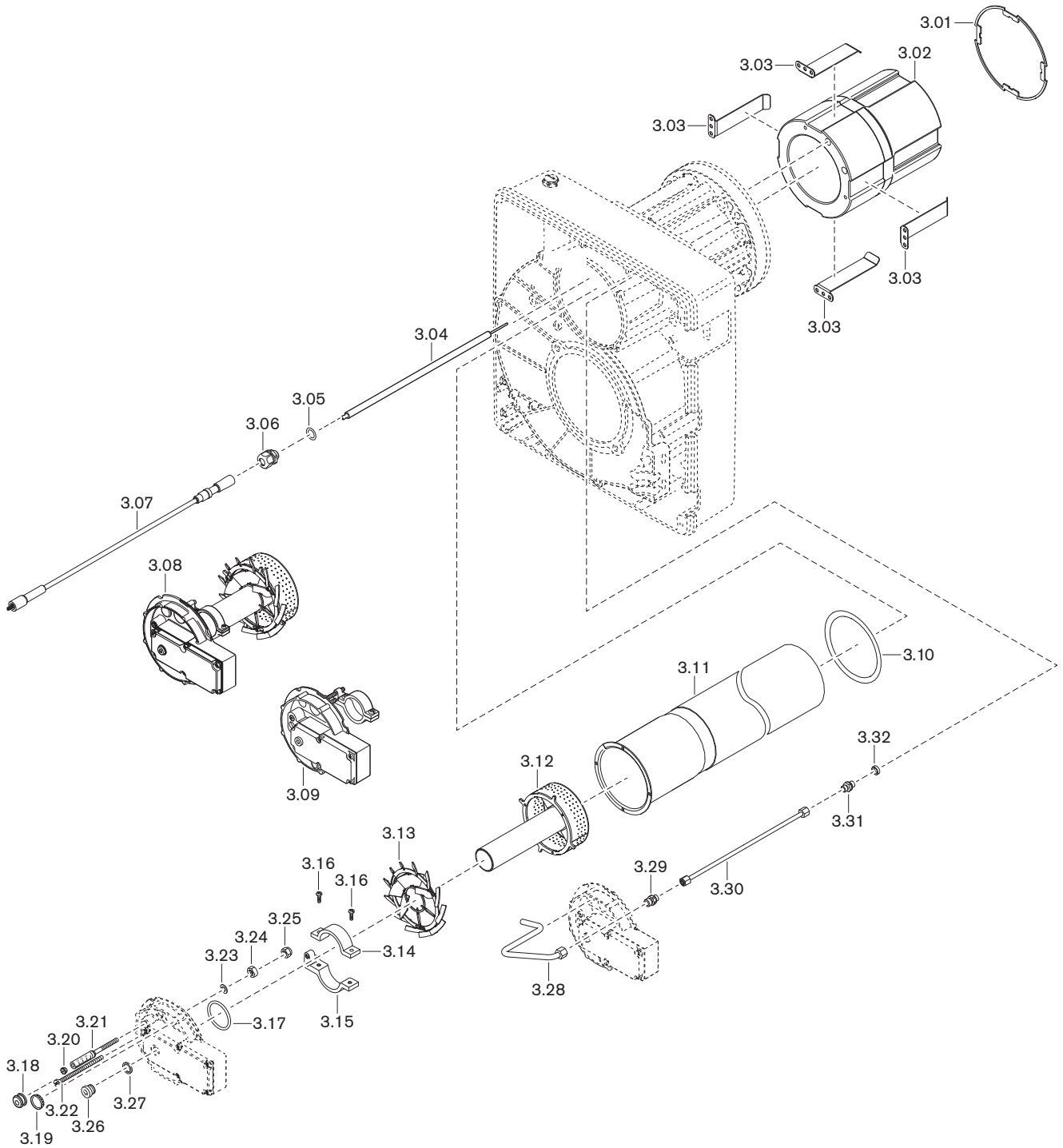
* Only in conjunction with motor W-PM06/A-4.

13 Spares



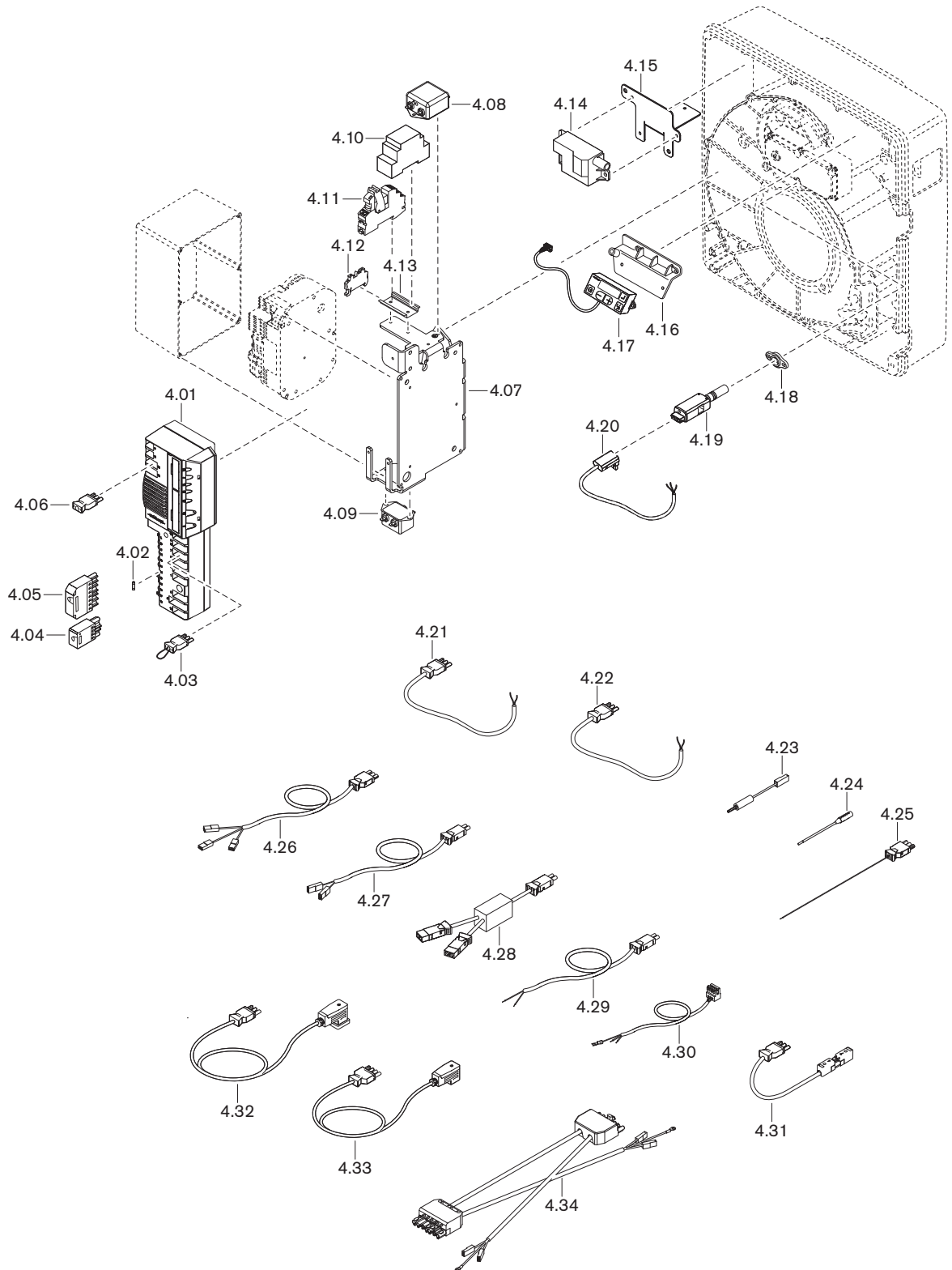
Pos.	Description	Order No.
2.35	Conversion set frequency convertor universal	230 401 00 130
	– Frequency convertor	230 400 12 362
	– Plug cable set	230 400 12 392
2.36	Housing Hammond 1550H 222 x 146 x 101	735 265
2.37	Hose (air cooling)	453 006
2.38	Hexagonal nut M 8 x 1 DIN 439	411 412
2.39	Threaded socket M8 x 1 WES4	453 006

13 Spares



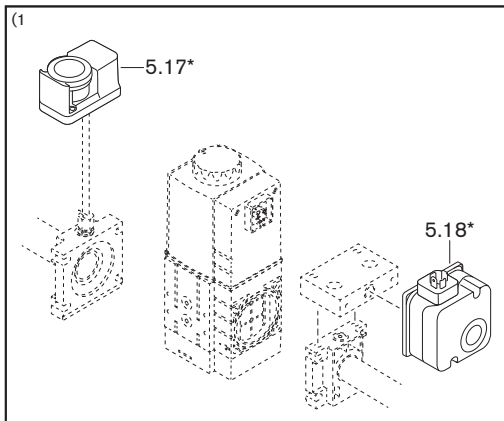
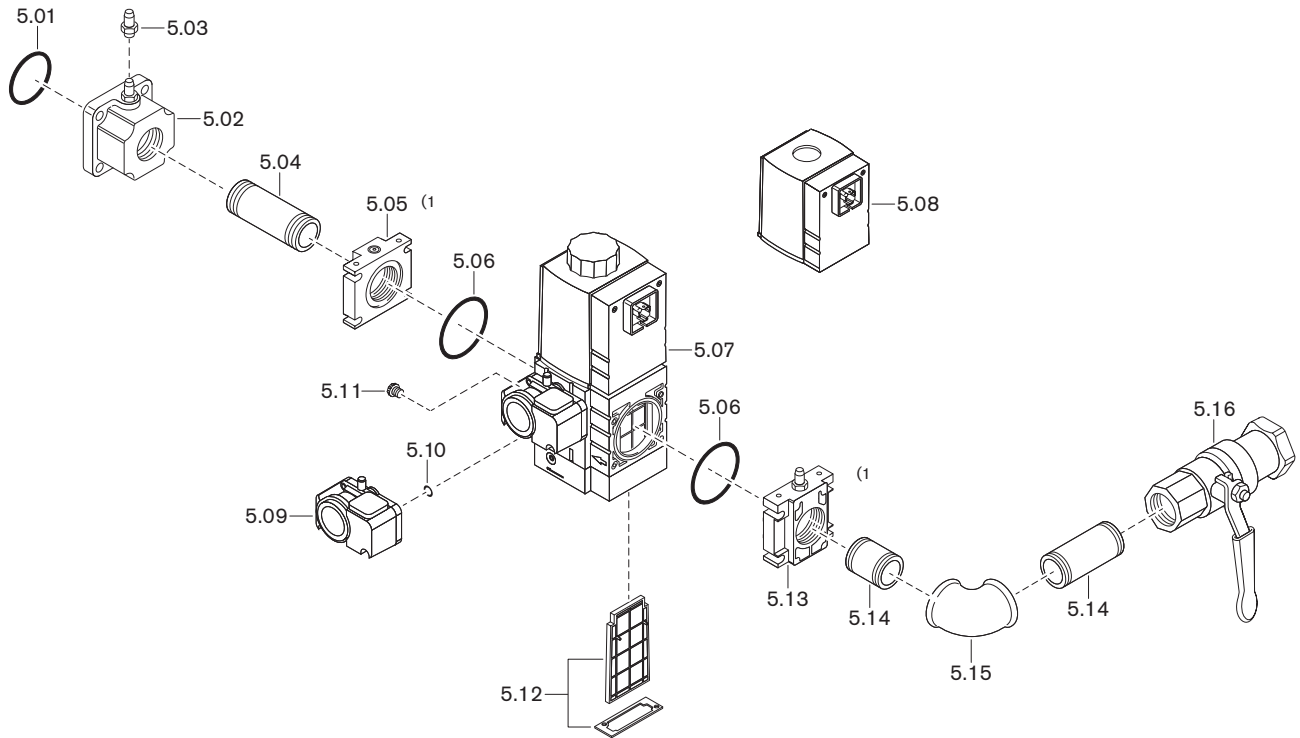
Pos.	Description	Order No.
3.01	Ring 182 x 174 x 2 high temperature	232 400 01 137
3.02	Insulator	
	– low temperature	232 400 01 062
	– high temperature	232 400 01 157
3.03	Insulator fixing bracket	
	– low temperature	232 400 01 327
	– high temperature	232 400 01 127
3.04	Ignition and ionisation electrode	217 104 14 547
3.05	Gasket 24 x 16 X 2 DIN EN 1514-1	441 080
3.06	Screwed union M16 x 1.5 7 - 11.4 mm	232 400 14 347
3.07	Ignition cable	
	– Ignition cable 650 mm	232 400 11 037
	– Ignition plug D6.4/11 120°C 1000 Ohm	716 569
3.08	Mixture distributor complete	
	– Natural Gas	232 400 14 162
	– Liquid Petroleum Gas	233 400 14 032
3.09	Lock housing complete	232 400 14 152
3.10	Burner tube seal 135.6 x 120 x 2	232 400 14 327
3.11	Burner tube	232 400 14 212
3.12	Mixture distributor	
	– Natural Gas	232 400 14 172
	– Liquid Petroleum Gas	233 400 14 042
3.13	Swirl 9/16	232 400 14 207
3.14	Adjusting lever top part	241 400 10 077
3.15	Adjusting lever bottom part	232 400 14 197
3.16	Screw M4 x 12 Torx-Plus 20IP	409 237
3.17	O ring 42 x 3 NBR70 ISO 3601	445 128
3.18	Cable grommet 5 x 12 x 16	756 146
3.19	View port glass	241 400 01 377
3.20	Plug 5.25	241 110 10 087
3.21	Indicating bolt M6 x 90	241 110 10 097
3.22	Adjusting screw M6 x 88	241 400 10 097
3.23	Spring washer A6 DIN 137	431 615
3.24	Hexagonal nut M6 ISO 4032 -8	411 301
3.25	Hexagonal nut M6 DIN 985 -6	411 302
3.26	Screw G $\frac{1}{8}$ A DIN 908 St	409 004
3.27	Sealing ring 10 x 13.5 x 1.5 DIN 7603	441 033
3.28	Cooling air line housing cover	232 400 14 368
3.29	Screwed union 24-SX-LL08-LL06-ST	452 018
3.30	Cooling air line insulator WG40/2-A PLN	232 400 14 348
3.31	Screwed union 24-SDSX-LL06-G $\frac{1}{8}$ A-ST-CH60	452 291
3.32	Sealing ring A10 x 14 x 4.0 DIN 7603 Cu	440 037

13 Spares



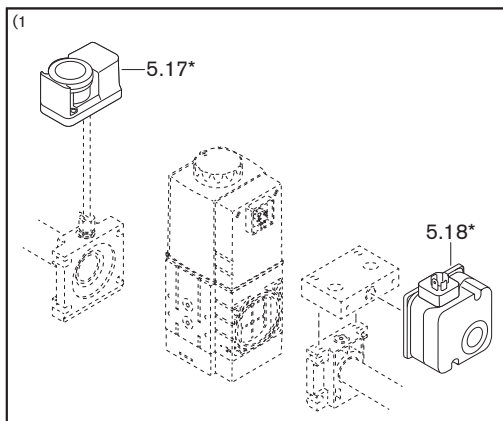
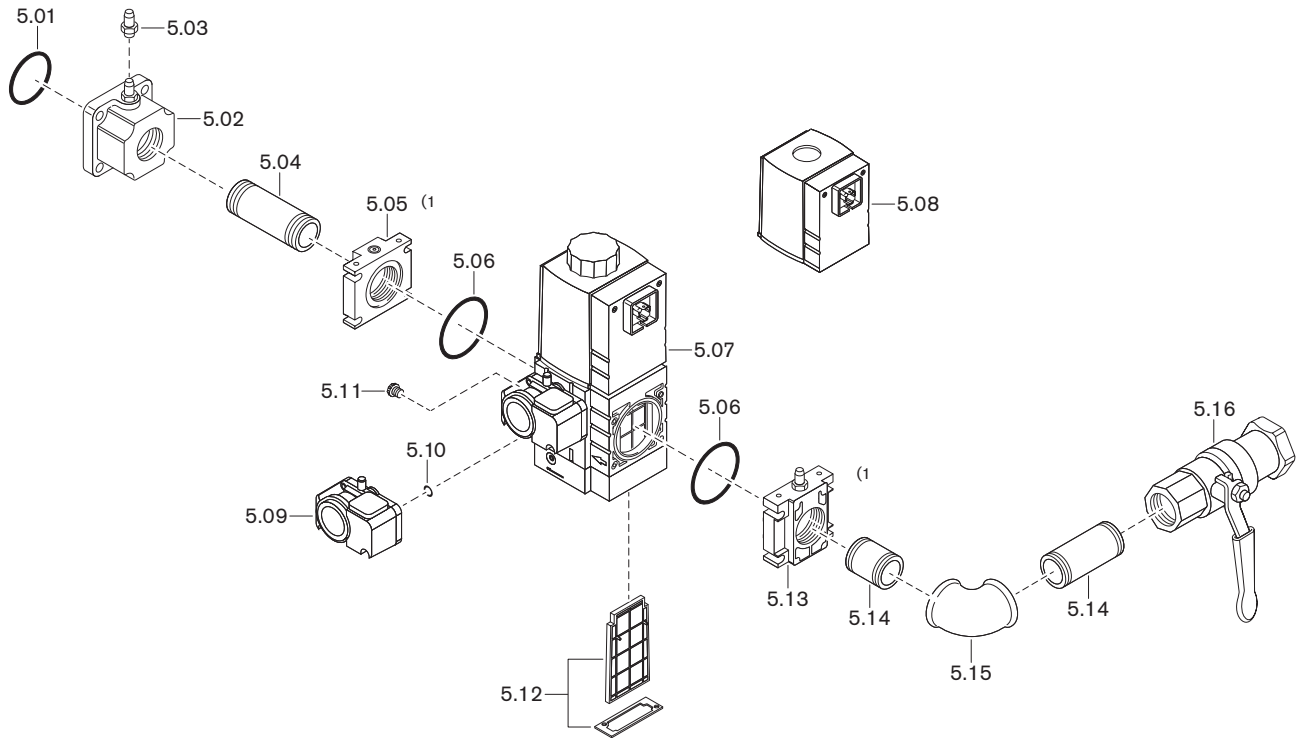
Pos.	Description	Order No.
4.01	Combustion manager W-FM25 O2 V 2.0 230V	600 491
4.02	Micro fuse T6.3H, IEC 127-2/5	483 011 22 457
4.03	Intermediate plug No. 7	241 400 12 042
4.04	Plug unit ST18/7	716 549
4.05	Plug unit ST18/4	716 546
4.06	Intermediate plug No. 15	232 110 12 082
4.07	Bracket for W-FM25/mains filter	232 400 12 047
4.08	Mains filter	710 613
4.09	Mains filter	710 612
4.10	Relay module RMF1.1 230V 50-60Hz for KLC	600 706
4.11	Relay RIF-1RPT-LV-230AC	704 471
4.12	End clamp CLIPFIX 35-5	735 675
4.13	Carrier rail S35 x 60	210 405 22 017
4.14	Ignition unit ZAG1 with ionisation	603 232
4.15	Fixing plate ignition unit	232 400 11 027
4.16	Fixing bracket	241 400 12 017
4.17	ABE for W-FM20 / 25 with 0.58 m cable	600 481
4.18	Bracket for flame sensor	600 637
4.19	Flame sensor KLC20/230 230V AC 50-60Hz	600 689
4.20	Connection cable 1000 mm for KLC	600 669
4.21	Plug cable No. 3/N frequency convertor	230 310 12 122
4.22	Plug cable W-PM motor / frequency convertor	241 110 12 042
4.23	Ionisation cable plug - ignition unit	232 400 12 082
4.24	Ionisation cable RMF - coupling	232 400 12 072
4.25	Ionisation cable No. 13 RMF - W-FM25	232 400 12 062
4.26	Plug cable No. 4 ignition unit	232 400 11 062
4.27	Plug cable No.11 400 mm	132 101 12 052
4.28	Adapter No.11 for LGW	230 310 12 382
4.29	Plug cable No.11 400 mm W-FM25	232 110 12 032
4.30	Connection cable frequency convertor	230 310 12 542
4.31	Plug cable No. 14 remote reset	230 110 12 362
4.32	Plug cable No.12 gas pressure switch	232 400 12 022
4.33	Plug cable No. 5 W-FM, DMV	232 400 12 012
4.34	Plug cable ST18/7 for mains filter	232 400 12 192

13 Spares



Pos.	Description	Order No.
5.01	O ring 45 x 3 NBR 70, DIN 3771	445 518
5.02	Flange Rp1½	232 400 26 027
5.03	Pressure test nipple G ¹ / ₈ A	453 001
5.04	Double nipple R1½ x 80	139 000 26 677
5.05	Flange	
	– DMV 507 Rp1½	605 234
	– DMV 512 Rp1½	605 230
5.06	O ring	
	– 57 x 3 W-MF 507	445 519
	– 75 x 3.5 W-MF 512	445 520
5.07	Multifunction assembly with gas pressure switch	
	– W-MF SE 507 S82 230 V	605 332
	– W-MF SE 512 S82 230 V	605 333
5.08	Solenoid coil	
	– W-MF 507 No. 032P 230 V	605 255
	– W-MF 512 No. 042P 230 V	605 257
5.09	Pressure switch GW 50 A5/1 5 ... 50 mbar with screws and O ring	691 378
5.10	O ring 10.5 x 2.25 for pressure switch	445 512
5.11	Breather plug with filter element G ¹ / ₈	605 302
5.12	Filter insert	
	– W-MF 507	605 253
	– W-MF 512	605 254
5.13	Flange with pressure test nipple	
	– DMV 507 Rp¾	232 110 26 092
	– DMV 512 Rp1	232 210 26 252
	– DMV 512 Rp1½	232 310 26 062
5.14	Double nipple	
	– R¾ x 50	139 000 26 117
	– R¾ x 100	139 000 26 627
	– R1 x 50	139 000 26 177
	– R1 x 100	139 000 26 187
	– R1½ x 80	139 000 26 677
	– R1½ x 120	139 000 26 237
5.15	Elbow A1	
	– ¾-Zn-A	453 143
	– 1-Zn-A	453 123
	– 1½-Zn-A	453 137

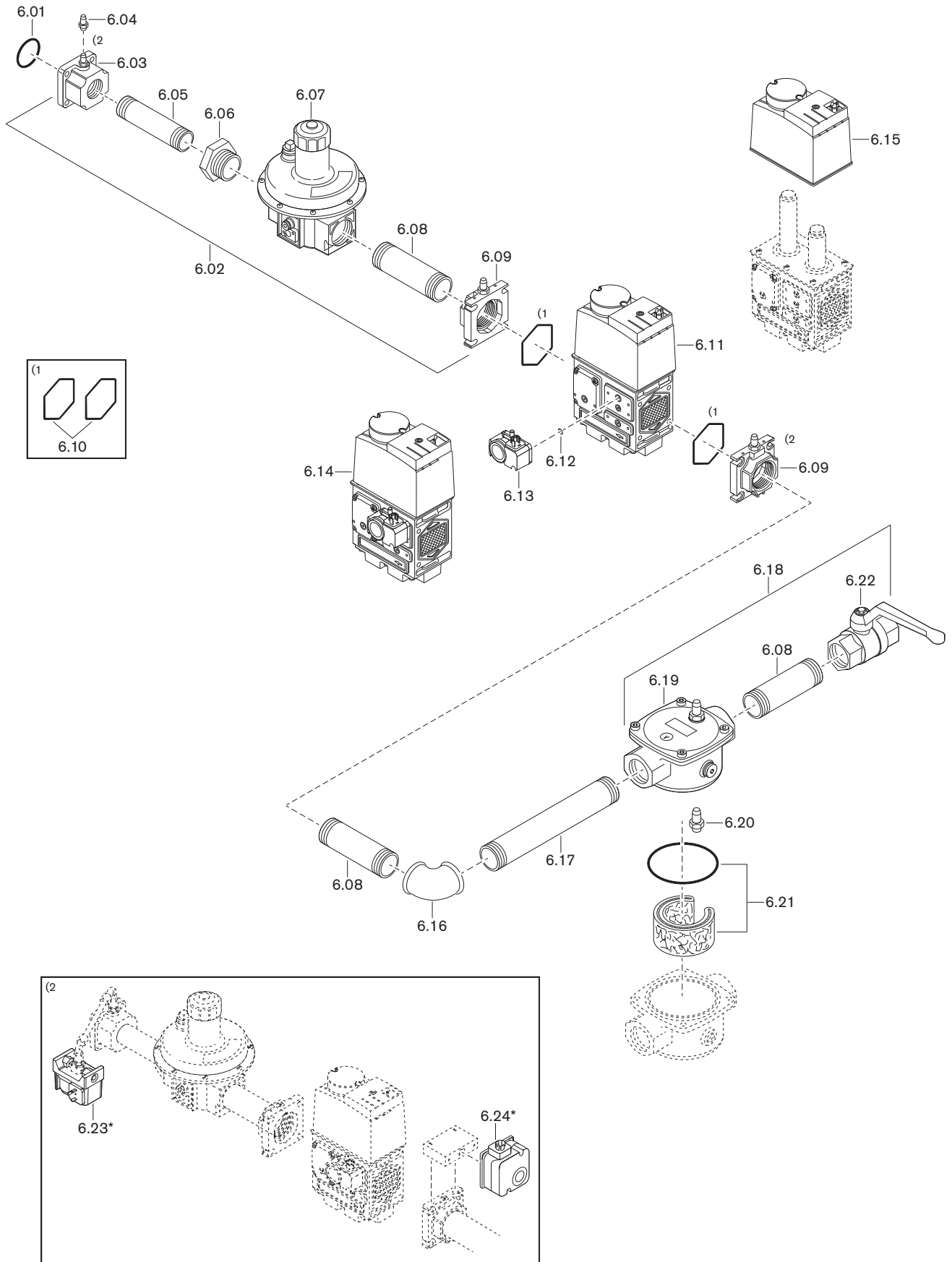
13 Spares



Pos.	Description	Order No.
5.16	Isolating valve with TAE	
	– 998NG-3/4-CE-TAS for Gas PN1	454 596
	– 998NG-1-CE-TAS for Gas PN1	454 597
	– 984 1½-CE-TAS MOP5	454 911
	Isolating valve without TAE	
	– 984D- 3/4 PN 40/MOP5	454 660
	– 984D-1 PN 40/MOP5	454 661
	– 984D-1½ PN 40/MOP5	454 663
5.17	Pressure switch GW 50 A6/1 5 - 50 mbar*	691 381
5.18	Pressure switch NB 50 A2 5 - 50 mbar*	691 361

* Only in conjunction with high gas pressure switch and low gas pressure switch.

13 Spares



Pos.	Description	Order No.
6.01	O ring 45 x 3 NBR 70, DIN 3771	445 518
6.02	Valve train gr. press. reg. R2 DMV 525/12	232 400 26 252
6.03	Flange Rp1½	232 400 26 027
6.04	Pressure test nipple G ¹ / ₈ A	453 001
6.05	Double nipple R1½ x 80	139 000 26 677
6.06	Nipple N4-2 x 1½ Zn-A EN10242	453 718
6.07	Pressure regulator FRS 520-2S Rp2	640 553
6.08	Double nipple R2 x 80	139 000 26 267
6.09	Flange w. p. test nipple Rp2 DMV 525/12	625 031
6.10	Gasket set for flange DMV 525/12	625 033
6.11	Solenoid valve DMV 525/12 220-240 V	625 040
6.12	O ring 10.5 x 2.25 for pressure switch	445 512
6.13	Pressure switch GW 50 A5/1, 5-50 mbar	691 378
6.14	Valve train group DMV 525 R2 w. GW 230 V	232 400 26 242
6.15	Solenoid coil DMV 525/12 220-240 V	625 022
6.16	Elbow A1-2 Zn-A EN10242	453 112
6.17	Double nipple R2 x160	139 000 26 277
6.18	Valve train group filter R2	230 310 26 132
6.19	Filter RP2 WF 520/1 for all gases PB	151 223 40 160
6.20	Pressure test nipple G ¹ / ₄ A	453 005
6.21	Filter insert set WF 520/1	151 334 26 112
6.22	Isolating valve with TAE	
	– 984 2 -CE-TAS MOP5	454 912
	Isolating valve without TAE	
	– 984D-2 PN 40/MOP5	454 664
6.23	Pressure switch GW 50 A6/1 5 - 50 mbar*	691 381
6.24	Pressure switch NB 50 A2 5 - 50 mbar*	691 361

* Only in conjunction with high gas pressure switch and low gas pressure switch.

14 Notes

14 Notes

14 Notes

A	
Access level	35, 41
Actuator.....	82
Adjust.....	68
Air damper	11, 82
Air pressure.....	67
Air pressure switch.....	11, 64
Ambient conditions.....	18
Ammeter.....	44
Analogue module	39
Angle drive.....	83
Aperture	22, 23, 25
Appliance category.....	104
Approval data.....	18
B	
Ball valve	12
Bar	103
Basic setting	74
Booming.....	100
Breather plug	86
Burner motor	14, 79
Burner starts	37
Burner tube	22
Burner tube mat	75
C	
Calculation.....	60
Calorific value	50
Capacity graph	20
Coil.....	85
Combustion air	7
Combustion analysis	66
Combustion chamber pressure.....	20
Combustion heat rating.....	20
Combustion Manager	14, 89
Combustion setting.....	68
Commissioning.....	43
Condensate.....	8
Connection pressure	28, 45, 50
Connections.....	15
Consumption.....	18
Control unit.....	89
Conversion factor	67
Conversion table	103
Corrections.....	68
D	
Design lifespan	7, 70
Detailed fault codes	95
Display.....	34, 36
Display and operating unit	34
Disposal	9
double gas valve	12, 28
Drilling dimension drawing.....	22
E	
Electrical connection.....	32
Electrical data	18
electrostatic discharge.....	8
Emission	19
Emission class.....	19
ESD protective measures.....	8
F	
F1	36
F9	36
Factory setting	64
Fan	11
Fan motor	79
Fan wheel	11, 77
Fault.....	93, 96, 100
Fault codes	96
Fault memory	38, 94
Fieldbus	15, 37
Fieldbus module	39
Filter.....	87, 88
Filter insert	87, 88
Flame sensor.....	14
Flame signal.....	14, 35, 44
Flange gasket.....	23
Flue gas losses	66
Flue gas measurement.....	66
Flue gas temperature.....	66
Frequency convertor.....	14
Fuel	18
Full load	58
Fusing.....	15, 18, 92
G	
Gas butterfly valve.....	12
Gas connection pressure.....	28, 45
Gas consumption	37
Gas family.....	104
Gas filter.....	12, 87, 88
Gas isolation valve	12
Gas meter	37
Gas pressure switch.....	12, 30
Gas setting pressure	50
Gas supply.....	28
Gas temperature.....	67
Gas throughput.....	67
Gas valve train.....	23, 29
Guarantee	6
H	
H2	18
Heat exchanger.....	22
High gas pressure switch.....	13, 63
Hours run.....	37
Housing cover	76
Humidity.....	18
Hydrogen.....	18, 58
I	
Idle time	69
Ignition speed.....	59
Ignition unit.....	14

15 Key word index

Indicating bolt	74	Pascal.....	103
Info button.....	34	Personal protective equipment	8
Info level	37	Post purge air damper setting.....	40
Initialisation time	17	Post-purge time	17
Inputs	15	PPE	8
Installation.....	22, 23	Pre-filter	81
Installation elevation	18, 20	Pre-purge time	17
Installation location	7, 22	Pressure regulator.....	12, 28
Installation position	28	Pressure switch	11, 53, 64
Insulator.....	23	Problem solving	100
Intake air filter.....	11, 81	Program sequence.....	16, 101
Intake cover	26	Protective equipment.....	8
Intake housing.....	26	Pulsating.....	100
Interface	15		
Internal unit fuse.....	92	R	
Ionisation current.....	44	Rating	20
Ionisation electrode	14	Refractory	22
		Remote reset.....	33
L		Repetition counter.....	95
Liability.....	6	Reset	94
Lifespan.....	7, 70	Reset button	34
Linearisation	60		
Lockout.....	93, 96	S	
Low gas pressure switch/valve proving gas pressure switch.....	12, 63	Safety measures	7
		Safety symbols.....	7
M		Safety time	17
Mains voltage	18	Serial number	10
Maintenance position.....	76	Service contract.....	71
mbar	103	Service interval.....	70
Measuring device.....	44	Service level.....	38
Mechanical noises	100	Service plan.....	72
Minimum speed	59	Service position	76
Mixture distributor	74	Servicing.....	70
Monitoring current	44	Setting dimension	74
Motor.....	14, 79	Setting pressure	50
Multifunction assembly	12	Setting screw	74
		Shutdown	69
N		Software	35
Name plate	10	Solenoid coil.....	85
Namur	78	Sound levels	19
Noise emission values	19	Sound power level	19
Nominal diameter	50	Sound pressure level.....	19
		Soundness test.....	46
O		Spares.....	111
OFF function	34	Speed standardisation	56
Operating level	34	Stability problems.....	100
Operating mode	16	Standard volume.....	67
Operating panel	14, 93	Standards.....	18
Operating problems	100	Starts.....	37
Operating status	35, 95, 101	Sticker.....	91
Operating volume	67	Storage	18
Operational failure	69	Symbol	7
Outputs	15		
		T	
P		Temperature	18
Pa.....	103	Test points	48
Parameter level	39	Test pressure.....	46
Partial load.....	61	Transport	18, 21
		Type.....	10
		Type key.....	10

Type of Gas..... 18, 104

U

Unit of pressure..... 103

V

Valve proving..... 12, 63

Valve train 28, 29, 50

VisionBox 35

Voltage supply 18

VSD sensor 78, 79

W

Warning label..... 7

Weight..... 21

when gas can be smelled 7

Das ist Zuverlässigkeit. C'est la fiabilité. That's reliability. Questa è affidabilità. 信頼性とは、ころいろものです。Това е надеждност. Ez a megbízhatóság. Đó là sự đáng tin cậy. اردن رقابارت المؤمنان است To je zanesljivost. Güvence budur. Αυτό σημαίνει αξιοπιστία. 그것은 바로 신뢰성입니다. To je spoľahlivosť. Dat is betrouwbaarheid. Täämä on luotettavuutta. هذه هي الوثوقية See on usaldusväärsus. Pouzdana tvrtka. To jest niezawodność. นั่นคือความเชื่อถือได้ Це надійність. Isto é fiabilidade. To je spolehlivost. यही विश्वसनीयता है. Det är pålitlighet. זאת אמינות. Esto es fiabilidad. Это надёжность. Itulah kepercayaan. 值得信赖。Is é sin iontaofacht. Iyan ang maaasahan. Aceasta este fiabilitatea. اتى نى سوشو ى مو Tai - patikimumas. Det er pålitelighet. Tā ir uzticamība. Sa se fyab. To je pouzdanost. La fiabilité avant tout. Det er pålidelighed.